

# computer Smart fast

Automatic power factor regulator  
(Static capacitor banks)

## Description

**Computer smart fast** is a leading edge power factor regulator, providing in a single device the functions of power factor correction, power analyzer and leakage current protection.

The regulator is equipped with the latest world technology, which allows **CIRCUTOR** offering to the market a simple regulator, but capable of performing many advanced functions as: Capacitors status monitoring, earth leakage current monitoring, capacitors failure prevention, overheating detection, etc.. All these functions contribute to a longer life and a better power quality, and avoid intempestive supply interruptions.

## Aplication

**Computer Smart fast** it's the ideal solution to compensate installations with a variation of quick loads, between 40 ms and 4 seconds, and/or large unbalances between phases, such as welding units, cranes, lifts and lifting units, smelters, hospitals, automotive industry or any other sector or unit that requires an efficient compensation of the power factor.

Some of the advantages of this compensation system are as follows:

- Elimination of transients produced by the capacitor's connection.
- The lack of transients in the connection allows us to eliminate gaps, flicker and any other alteration generated by the connection's transient
- Limited switching operations, guaranteeing a longer working life for the unit
- Immediate response to the compensation request
- Lower wear of capacitors and switching elements, due to the elimination of transients and the total absence of mobile mechanical parts
- Eliminates or reduces the effects of voltage drops caused by reactive consumption peaks.

Its phase-by-phase compensation functions make **computer Smart Fast** the most efficient regulator in the market.



## Features

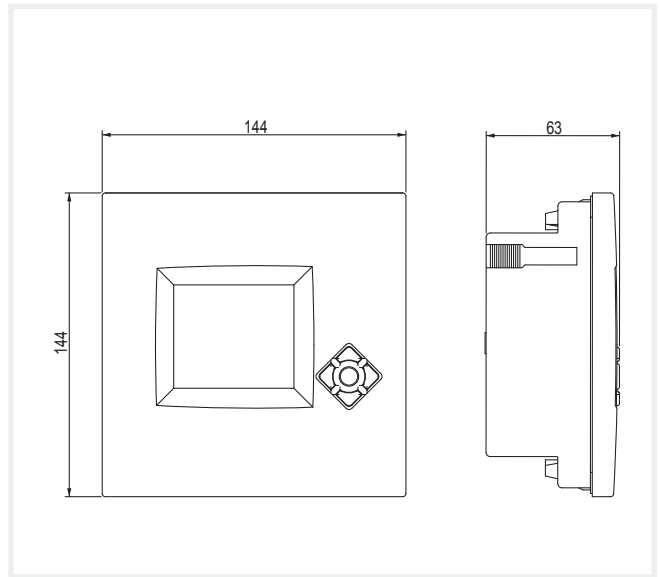
<b>Supply circuit</b>	
Power supply voltage	480, 400, 230, 110 V a.c. depending on model
Tolerance	+15 % -10 %
Consumptions	8,2 VA (0 relays connected) 9,3 VA (6 relays connected) 11 VA (12 relay connected)
Minimum response time	2 cycles (40 ms)
Frequency	45 ... 65 Hz
<b>Measurement circuit</b>	
Voltage measurement range	480, 400, 230, 110 V a.c. depending on model
Current measurement ( $I_n$ )	By means of a current transformer $I_n / 5$
<b>Leakage current</b>	
Leakage current range	$I_{\Delta prim}$ : 10 mA ... 1 A a.c.
Transformers type	<b>WGC</b> (*)
Full scale at secondary side	$I_{\Delta sec} = 20$ mA
<b>Measuring circuits accuracy</b>	
1 %	$\cos \phi$ : 2 % $\pm$ 1 digit
<b>Temperature measurement</b>	
	0 ... +80 °C $\pm$ 3 °C
<b>Output</b>	
Contact type	Change over contact
Poder de corte	$V_{max}$ 250 V a.c., 4 A a.c., AC1
<b>Alarms</b>	
No. Alarm	14, totally configurables
<b>Communications</b>	
Hardware	RS-485
Protocol	Modbus
Baud rate	9600, 19200, 38400 Bd, configurable
<b>Operating conditions</b>	
Temperature	-20 ... +60 °C
Relative humidity	Max. 95%
Maximum altitude	2000 m
<b>Control system</b>	
	<b>FCP</b> (a programme that minimises the number of operations)
<b>Safety</b>	
Insulation	Category III Class II <b>EN 61010-1</b>
Degree of protection	<b>IP 40 / IP 30 EN-60529</b>
<b>Standards</b>	
	<b>IEC 62053-23</b> (2003-01) Ed. 1.0, <b>IEC 61326-1</b> , <b>EN61010-1</b> , <b>UL 508</b>

(\* optional)

# computer Smart fast

Automatic power factor regulator

## Dimensions



## References

Power supply voltage	No. of steps	Alarm	Size	Type	Code
400 V a.c.	6	Yes	144 x 144	computer Smart fast 6	R13931
400 V a.c.	12	Yes	144 x 144	computer Smart fast 12	R13942

## Connections

