

# computer Smart

Automatic power factor regulator



## Description

**Computer Smart** is a leading edge power factor regulator, providing in a single device the functions of power factor correction, power analyzer and leakage current protection.

The regulator is equipped with the latest world technology, which allows **CIRCUTOR** offering to the market a simple regulator, but capable of performing many advanced functions as: Capacitors status monitoring, earth leakage current monitoring, capacitors failure prevention, overheating detection, etc.. All these functions contribute to a longer life and a better power quality, and avoid intempestive supply interruptions.

Because all the above features, the **Smart** becomes one of the PF regulators with the best performance, while still offering users an easy use and intuitive programming.

## Application

**Computer Smart** offers a complete system for facilities that requires PF correction, security, measure, communications and monitoring.

Its simple and intuitive programming system enable de user the installation and maintenance.

## Features

Supply circuit	
Power supply voltage	480, 400, 230, 110 V a.c. depending on model
Tolerance	+15 % -10 %
Consumptions	8,2 VA (0 relays connected) 9,3 VA (6 relays connected) 11 VA (12 relay connected)
Frequency	45 ... 65 Hz
Measurement circuit	
Voltage measurement range	480, 400, 230, 110 V a.c. depending on model
Current measurement ( $I_n$ )	By means of a current transformer $I_n / 5$
Leakage current	
Leakage current range	$I_{\Delta prim}$ : 10 mA ... 1 A a.c.
Transformers type	<b>WGC</b> (*)
Full scale at secondary side	$I_{\Delta sec} = 20$ mA
Measuring circuits accuracy	
1 %	$\cos \phi$ : 2 % $\pm$ 1 digit
Temperature measurement	
	0 ... +80 °C $\pm$ 3 °C
Output	
Contact type	Change over contact
Poder de corte	$V_{max}$ 250 V a.c., 4 A a.c., AC1
Alarms	
No. Alarm	14, totally configurables
Communications	
Hardware	RS-485
Protocol	Modbus
Baud rate	9600, 19200, 38400 Bd, configurable
Operating conditions	
Temperature	-20 ... +60 °C
Relative humidity	Max. 95%
Maximum altitude	2000 m
Control system	
	<b>FCP</b> (a programme that minimises the number of operations)
Safety	
Insulation	Category III Class II <b>EN 61010-1</b>
Degree of protection	<b>IP 40 / IP 30 EN-60529</b>
Standards	
	<b>IEC 62053-23</b> (2003-01) Ed. 1.0, <b>IEC 61326-1</b> , <b>EN61010-1</b> , <b>UL 508</b>

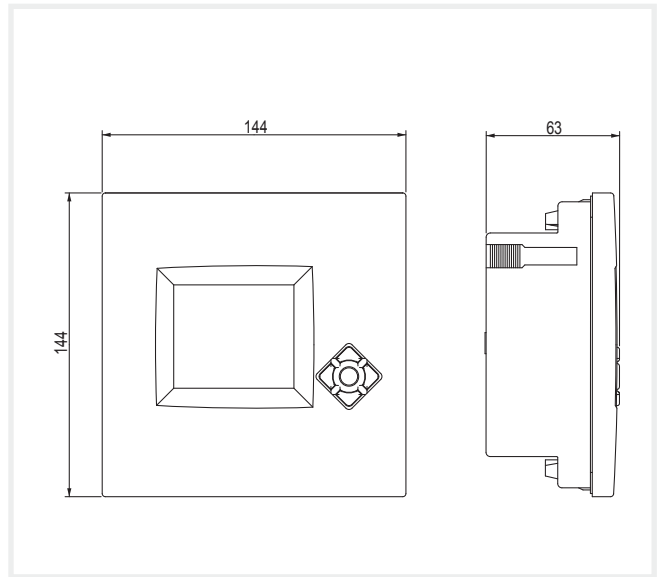
(\* optional)

# computer Smart

Automatic power factor regulator



## Dimensions



## References

Power supply voltage	No. of steps	Alarm	Size	Type	Code
400 V a.c.	6	Yes	144 x 144	computer Smart 6	R13831
400 V a.c.	12	Yes	144 x 144	computer Smart 12	R13842
110 V a.c.	6	Yes	144 x 144	computer Smart 6	R13831001
110 V a.c.	12	Yes	144 x 144	computer Smart 12	R13842001
230 V a.c.	6	Yes	144 x 144	computer Smart 6	R13831002
230 V a.c.	12	Yes	144 x 144	computer Smart 12	R13842002
480 V a.c.	6	Yes	144 x 144	computer Smart 6	R13831004
480 V a.c.	12	Yes	144 x 144	computer Smart 12	R13842004

## Connections

