

# computer Plus-T

Intelligent regulator

## Description

Intelligent state-of-the-art regulators, capable of measuring the Three-phase networks and compensating the total reactive consumption accurately.

The **Plus-T** power factor regulators have been designed with **CIRCUTOR's** measurement system technology, effectively creating a compensation + measurement unit. As a power analyzer, it displays any electrical parameter of the network in real time and records it in its internal memory, with maximum and minimum values, date and hour. The user can benefit from the following advantages as a result of the many new features:

- The measurement of the three phases guarantees the real compensation of the installation.
- Protection against harmonics, with an anti-resonance system.
- Easy installation, fully self-programmable, operation start-up by pressing just one key
- New regulation program that enables the use of any type of sequence
- Greater continuity of the service, control and display of leakages, with step-by-step earth leakage protection
- Internal temperature sensor, for the protection against excessive temperatures, with alarm and/or disconnection system
- Test function to check the whole unit by pressing just one key
- The communications system can be used by the user to display the distance of unit parameters and the network for the preventive supervision and maintenance tasks.

## Application

**Computer Plus-T** regulators are ideal to compensate modern installations that often have unbalanced loads. Its three-phase measurement system and power analyzer function, safety, monitoring and control system make it the ideal candidate to compensate installations where the precision and continuity of the service are fundamental factors.



## Features

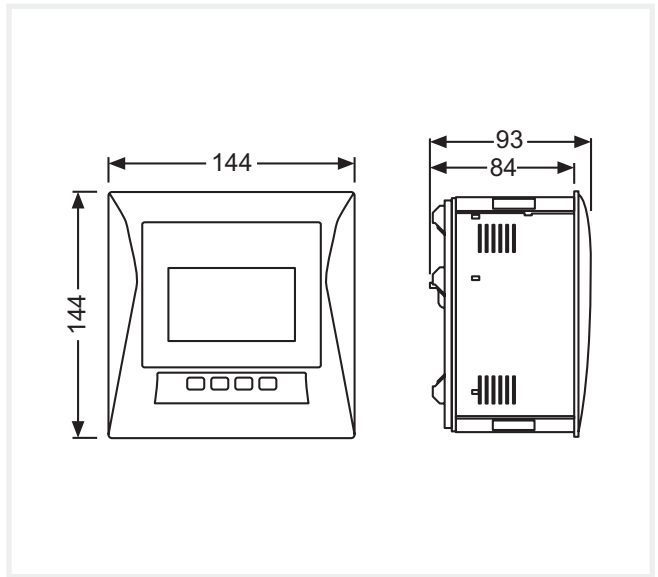
Features	
Type of measurement	Three-phase
Power analyzer	Measurement: $\cos \varphi$ , PF, $U$ , $I$ , $I_{ph}$ , THD( $I$ ), THD( $U$ ), kV-A, kW, kvarC, kvarL, kw-h, kvar-h, Hz, temperature. Max and min records, with date and hour of the electrical parameters.
Alarms	Temperature, voltage, current, THD( $I$ ), THD( $U$ ), kvar, $\cos \varphi$ , capacity loss.
Test function	Loss of capacity, resonance, $\cos \varphi$
Anti-resonance system	Built-in
Plug and play function (self-programmable)	Built-in
Step-by-step earth leakage protection	CDI Version
RS-485 Communications (modbus protocol)	CDI Version
Measurement of current in capacitors	CDI Version
Measurement of temperature	Built-in
Power supply circuit	
Voltage	110 ... 480 V ac
Consumption	6 VA
Frequency	45 ... 65 Hz
Measurement circuit	
Nominal voltage	110 ... 300 V <sub>ph-n</sub> , 190 ... 520 V <sub>ph-ph</sub>
Frequency	45 ... 65 Hz
Nominal current	1 to 5 A max.
Overload (permanent)	15 %
Voltage class	0,5
Current class	0,5
Power class	0,5
Relays	
Maximum switching voltage	250 V ac
Maximum switching current	3 A
Ambient conditions	
Operating temperature	0 ... 55 °C
Build features	
Type of box	V0 self-extinguishing plastic
Fitted unit, protection degree (frontal)	IP 51
Fitted unit, protection degree (rear)	IP 21
Dimensions	144 x 144 x 90 mm
Safety	CAT III

# computer Plus-T

Intelligent regulator



## Dimensions



## References

No. of steps	Three-phase measurement	Alarms	Communications, Earth Leakage, / <sub>capacitors</sub>	Type	Code
8	Yes	Yes	No	computer Plus-T8	R12011
14	Yes	Yes	No	computer Plus-T14	R12211
8	Yes	Yes	Yes	computer Plus-T8 CDI	R12111
14	Yes	Yes	Yes	computer Plus-T14 CDI	R12212

## Connections

