

Current transformers

TC series

Narrow-profile current transformer



Description

- Type: bar entrance
- Types: from 40 to 4000 A
- Internal diameter: from 20.3 to 63 mm, depending on the type
- Busbar dimensions: from 25 x 5 mm to 30 x 100 mm
- Transformer certificate sheet is attached
- DIN rail fixing accessory (Types **TC5** and **TC6**)
- Secondary coding types .../5 A (on demand .../1 A)

Application

Converting a high nominal current to a lower current so that it can be measured by the unit.

In installations where the electrical supply can be interrupted to install transformers.

Features

Frequency	50 / 60 Hz
Isolation voltage	10 kVac
Thermal short-circuit current, I_{th}	$60 I_n$
Dynamic current, I_{dyn}	$2.5 I_{th}$
Highest current in the material	0.72 kVac
Thermal class	B (130 °C)
Type of encapsulation	VO self-extinguishing plastic
Safety factor	F_s 5
Secondary sealable terminals	Yes
Secondary terminals	IP 20
Fixing on DIN rail	TC5 and TC6
Standards	
IEC 44-1, BS2627	

Current transformers

TC series

Narrow-profile current transformer



References

Type	TC 4				TC 5				TC 5,2				TC 6,2				TC 6				
Busbar (mm)	30 x 10 20 x 10 25 x 5				25 x 5				20 x 12 25 x 10 30 x 10				30 x 10				40 x 10				
Dimensions (mm)																					
	70				70				70				81				81				
	46				58				58				64				64				
30				32				32				44				44					
A	V-A	Class			Code	Class			Code	Class			Code	Class			Code	Class			Code
		0,5	1	3		0,5	1	3		0,5	1	3		0,5	1	3		0,5	1	3	
40/5						-	-	1,5	M70311												
50/5	-	-	1	M703D5	-	-	3	M70312													
60/5	-	-	1,25	M703D6	-	1,25	3,5	M70313													
75/5	-	-	1,25	M703D7	-	2	3,5	M70314													
100/5	-	2	3	M703D8	1,5	2,5	3,75	M70315					1,75	3,75	7,5	M70341					
125/5	-	2,5	2,75	M703D9	1,75	3,5	5	M70316	-	1,5	2	M70322	3,75	7,5	10	M70342					
150/5	1,5	2,5	4	M703DA	2,5	3,5	5	M70317	1	2	2,5	M70323	5	7,5	10	M70343	1	3,5	5	M70331	
200/5	2,5	5	6	M703DB	3,75	5	5	M70318	2,5	3	3,5	M70324	7,5	10	10	M70344	3,5	5	7,5	M70332	
250/5					5	7,5	7,5	M70319	3,5	3,75	5	M70325	7,5	10	15	M70345	5	7,5	10	M70333	
300/5									3,5	3,75	5	M70326	10	10	15	M70346	5	7,5	10	M70334	
400/5									3,5	5	7,5	M70327	10	10	15	M70347	5	7,5	10	M70335	
500/5									5	7,5	10	M70328	15	15	20	M70348	7,5	10	15	M70336	
600/5									5	7,5	10	M70329	15	20	25	M70349	7,5	10	15	M70337	
750/5																	10	15	20	M70338	
800/5																	10	15	20	M70339	

Type	TC 8				TC 8.3				TC 10				TC 12				
Busbar (mm)	60 x 12				40 x 10				50 x 50 60 x 30 80 x 30				3 x 100 x 10				
Dimensions (mm)																	
	102				81				130				150				
	84,5				64				108				129				
50				44				50				50					
A	V-A	Class			Code	Class			Code	Class			Code	Class			Code
		0,5	1	3		0,5	1	3		0,5	1	3		0,5	1	3	
400/5		5	7,5	10	M70361	15	20	25	M703B4								
500/5		7,5	10	15	M70362	15	20	25	M703B5								
600/5		10	15	20	M70363	15	20	25	M703B6								
750/5		15	20	25	M70364	20	25	30	M703B7								
800/5		15	20	30	M70365	25	30	35	M703B8								
1 000/5		15	20	30	M70366	25	30	35	M703B9	10	15	20	M70373				
1 200/5		15	20	30	M70367					10	15	20	M70374				
1 500/5		15	20	30	M70368					15	20	25	M70375	15	20	30	M70383
1 600/5		15	20	30	M70369					15	20	25	M70376	15	20	30	M70384
2 000/5										15	20	25	M70377	15	20	30	M70385
2 500/5										15	20	30	M70378	20	30	40	M70386
3 000/5										15	20	30	M70379	30	40	60	M70387
4 000/5														35	40	60	M70388

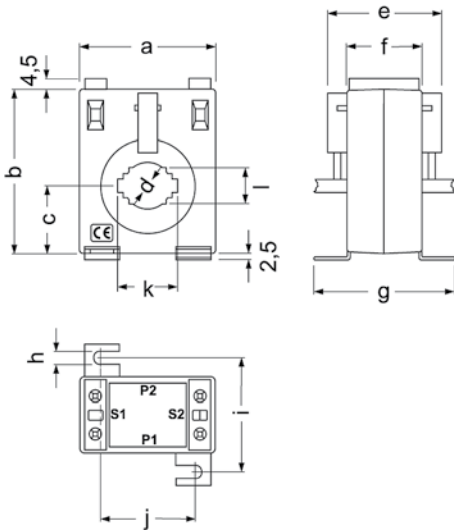
Current transformers

TC series

Narrow-profile current transformer

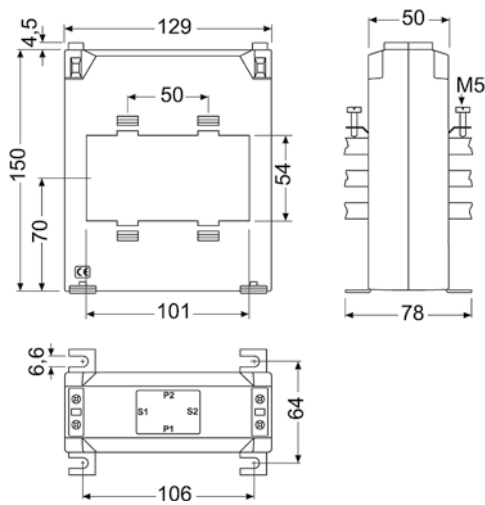


Dimensions



dimensions (mm)	TC 4	TC 5 TCH 5	TC 5.2 TCH 5.2	TC 6.2 TCH 6.2	TC 6 TCH 6	TC 8 TCH 8	TC 10 TCH 10
a	50	58	58	64	64	84,5	108
b	70	70	70	80,5	80,5	102	130
c	29	29	29	34	34	46	61
d	21	20,3	22	26	28,5	44	63
e	43,5	45	45	60,5	66,5	69	---
f	30	32	32	44	44	50	50
g	56	59	59	71	71,2	78	78
h	5,5	5,6	5,6	5,6	5,6	6,6	6,6
i	45,5	48	48	60	60	64	64
j	31,6	39	39	46	46	62	86
k	30,5	25,6	30,6	20,6	40,6	60,6	80,6
l	30,5	15,6	15,6	30,6	25,2	30,6	50,8

TC 12 series



Current transformers

TCH

Top-performance current transformer



Description

- Narrow-profile
- Types: from 100 to 4000 A
- Internal diameter: from 26 to 63 mm, depending on the type
- Busbar dimensions: from 30 x 10 mm to 30 x 100 mm
- Transformer certificate sheet is attached

Application

Converting a high nominal current to a lower current so that it can be measured by the unit.

In installations where the electrical supply can be interrupted to install transformers and a high accuracy is required.

Features

Frequency	50 / 60 Hz
Isolation voltage	10 kVac
Thermal short-circuit current, I_{th}	$60 I_n$
Dynamic current, I_{dyn}	$2.5 I_{th}$
Highest current in the material	0.72 kVac
Thermal class	B 130 °C
Type of encapsulation	VO self-extinguishing plastic
Safety factor	FS 5/10
Secondary sealable terminals	Yes



References

Type	TCH 6.2				TCH 6			
Busbar (mm)	30 x 10				40 x 10			
Dimensions (mm)								
	a	b	c	81				81
				64				64
				44				44
V-A	Class			Code	Class			Code
	0.2S	0,2	0.5S		0.2S	0,2	0.5S	
100/5	1	1,5	2,5	[2] M70441				
150/5	2,5	3,5	3,5	[2] M70443	1	1,25	1,5	[2] M70431
200/5	3,5	5	5	[2] M70444	1,25	1,5	2	[2] M70432
250/5	5	5	5	[2] M70445	1,5	1,75	2,25	[2] M70433
300/5	5	5	5	[2] M70446	1,75	2	2,5	[2] M70434
400/5	7,5	7,5	7,5	[2] M70447	1	5	5	[2] M70435
500/5					5	7,5	7,5	[2] M70436
600/5					5	7,5	7,5	[2] M70437
750/5					7,5	10	10	[2] M70438
800/5					7,5	10	10	[2] M70439

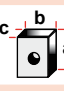
Current transformers

TCH series

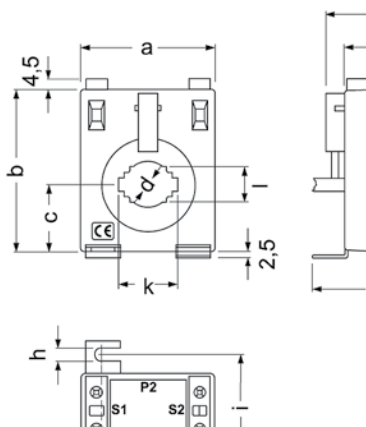
Top-performance current transformer



References

Type	TCH 8	TCH 10	TCH 12									
Busbar (mm)	60 x 12	50 x 50 60 x 30 80 x 30	3 x 100 x 10									
Dimensions (mm)												
	102 84,5 50	130 108 50	150 129 50									
V-A A	Class			Code	Class			Code	Class			Code
	0.2S	0,2	0.5S		0.2S	0,2	0.5S		0.2S	0,2	0.5S	
600/5	5	10	10	[2] M70463								
750/5	7,5	10	10	[2] M70464								
800/5	7,5	10	10	[2] M70465								
1 000/5	10	15	15	[2] M70466	7,5	10	10	[2] M70473				
1 200/5	10	15	15	[2] M70467	10	10	10	[2] M70474				
1 500/5	10	15	15	[2] M70468	10	10	15	[2] M70475	10	15	15	[2] M70483
1 600/5	10	15	15	[2] M70469	10	10	15	[2] M70476	10	15	15	[2] M70484
2 000/5					10	10	15	[2] M70477	10	15	15	[2] M70485
2 500/5					10	10	15	[2] M70478	15	20	20	[2] M70486
3 000/5					10	10	15	[2] M70479	20	25	25	[2] M70487
4 000/5									25	30	30	[2] M70488

Dimensions



dimensions (mm)	TC 5 TCH 5	TC 5.2 TCH 5.2	TC 6.2 TCH 6.2	TC 6 TCH 6	TC 8 TCH 8	TC 10 TCH 10
a	58	58	64	64	84,5	108
b	70	70	80,5	80,5	102	130
c	29	29	34	34	46	61
d	20,3	22	26	28,5	44	63
e	45	45	60,5	66,5	69	---
f	32	32	44	44	50	50
g	59	59	71	71,2	78	78
h	5,6	5,6	5,6	5,6	6,6	6,6
i	48	48	60	60	64	64
j	39	39	46	46	62	86
k	25,6	30,6	20,6	40,6	60,6	80,6
l	15,6	15,6	30,6	25,2	30,6	50,8

TCH 12 series

