

Current transformers

TA 210

High-accuracy wound primary current transformer



Description

- Types: from 5 to 400 A
- Wound primary

Application

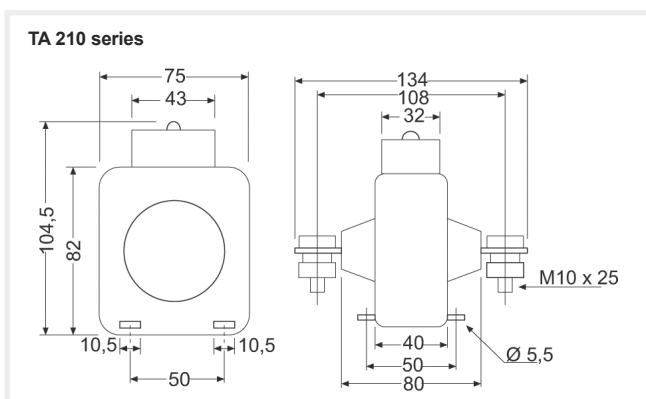
Converting a high nominal current to a lower current so that it can be measured by the unit.

In installations where the nominal current is not too high or where the current requested from the secondary power transformer does not exceed 10 V·A.

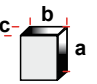
Features

Frequency	50 / 60 Hz
Isolation voltage	3 kV ac
Thermal short-circuit current, I_{th}	$60 I_n$
Dynamic current, I_{dyn}	$2.5 I_{th}$
Highest current in the material	0.72 kV ac
Thermal class	A 105 °C
Type of encapsulation	VO self-extinguishing plastic
Safety factor	$F_s < 5$
Secondary sealable terminals	Yes
Standards	
IEC 44-1, UNE 21 088-1, UL 94, VDE 0414	

Dimensions



References

Type	TA 210 (*1)				
	Wound Primary				
Dimensions (mm)					
		a	b	c	
		104.5	75	134	
A	V·A	Class			Code
		0,5	1	3	
5/5	15	20	30	[*] M70541	
10/5	15	20	30	[*] M70542	
15/5	15	20	30	[*] M70543	
20/5	15	20	30	[*] M70544	
25/5	15	20	30	[*] M70545	
30/5	15	20	30	[*] M70546	
40/5	15	20	30	[*] M70547	
50/5	15	20	30	[*] M70548	
60/5	15	20	30	[*] M70549	
75/5	15	20	30	[*] M7054A	
100/5	15	20	30	[*] M7054B	
125/5	15	20	30	[*] M7054C	
150/5	15	20	30	[*] M7054D	
200/5	15	20	30	[*] M7054E	
250/5	15	20	30	[*] M7054F	
300/5	15	20	30	[*] M7054G	
400/5	15	20	30	[*] M7054H	

(*1) Sealable terminal cover and anchoring base included