

**Current transformers**

# serie MC-3

**Three-phase Efficient current transformers**

**Description**

Current transformers specially designed to be installed above a switch

- Transformer range from 63 to 250 A
- Secondary 250 mV.
- Compatible with the **MC** product range from **CIRCUTOR**.

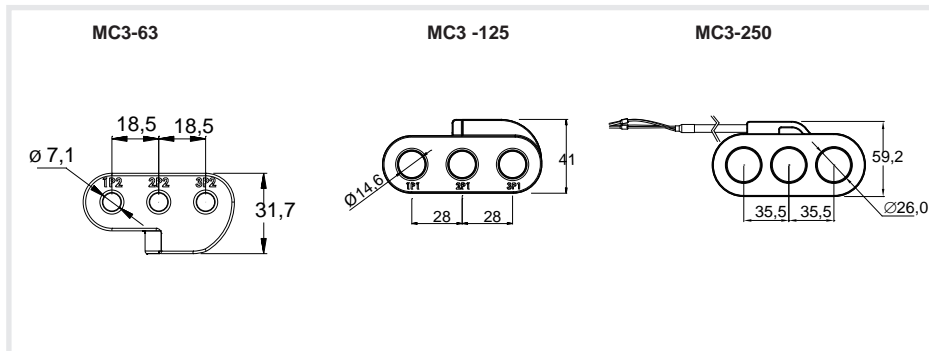
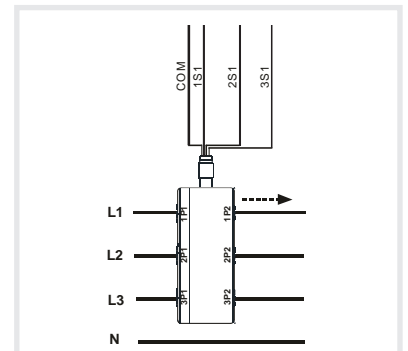
**Application**

Installation in confined spaces, utilizing the space above the circuit breakers and earth leakage protection

In installations that allow the power supply to be shut down for the installation of transformers.

**Features**

<b>Frequs</b>	50 / 60 Hz
Isolation voltage	3 kVac
Thermal short-circuit current, $I_{th}$	60 $I_n$
Dynamic current, $I_{dyn}$	2,5 $I_{th}$
Highest current in the material	0,72 kVac
Clase	0,5
Thermal class	B (130 °C)
Type of encapsulation	VO self-extinguishing plastic
Safety factor	$F_s$ 5
Secondary sealable terminals	yes
Secondary terminals	IP 20
<b>Standard</b>	
<b>IEC 60044-1</b>	

**Dimensions**

**Conexionado**

**References**

MC3 three-phase Efficient Transformers,						
A max.	Class 0,5 Power	Measurement	Internal diameter	Type	Code	
63	0,1 VA	3 phases	7,1 mm	<b>MC3-63</b>	<b>M73121</b>	
125	0,1 VA	3 phases	14,6 mm	<b>MC3-125</b>	<b>M73122</b>	
250	0,1 VA	3 phases	14,6 mm	<b>MC3-125</b>	<b>M73122</b>	