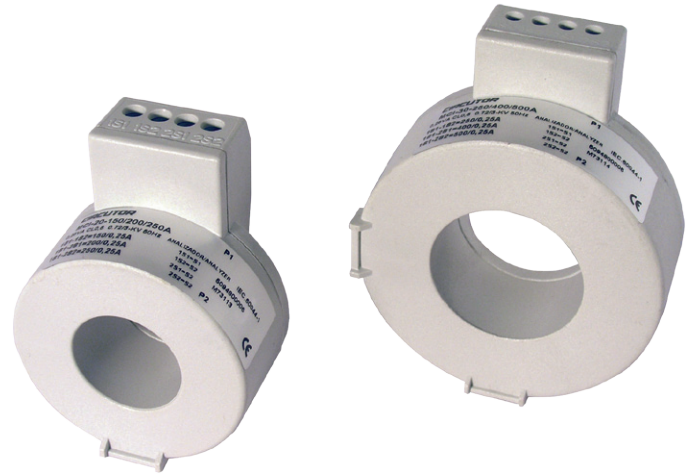


Current transformers

serie MC

Single-phase Efficient current transformers



Description

- Transformer range from 150 to 1,500 A
- Secondary 250 mV.
- Three ranges in the same transformer.
- Compatible with the MC product range from CIRCUTOR.

Aplication

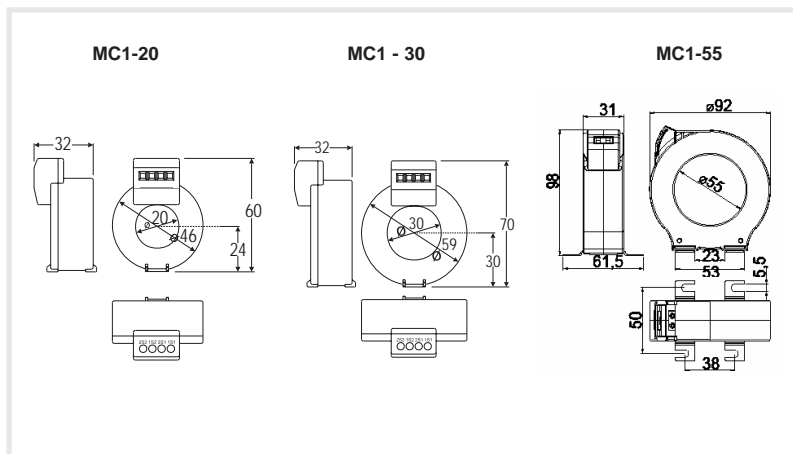
In installations that allow the power supply to be stopped to install transformers.

Very useful to install in places where the exact nominal current range is not known. Each transformer has 3 ratio ranges by changing a connection cable and the chosen ratio in the measuring device.

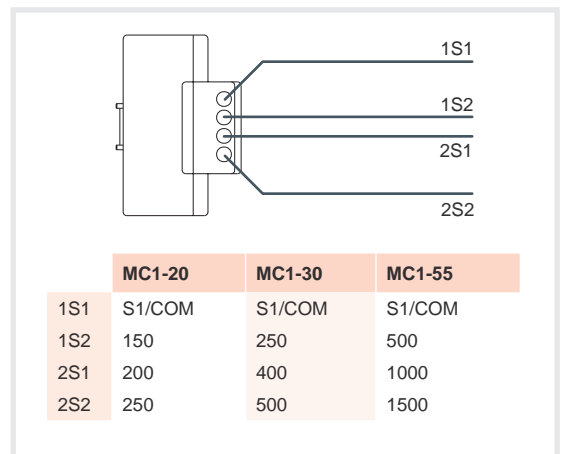
Features

Frequency	50 / 60 Hz
Isolation voltage	3 kV _{ac}
Thermal short-circuit current, I_{th}	60 I_n
Dynamic current, I_{dyn}	2,5 I_{th}
Highest current in the material	0,72 kV _{ac}
Thermal class	B (130 °C)
Type of encapsulation	VO self-extinguishing plastic
Safety factor	F_s 5
Secondary sealable terminals	yes
Secondary terminals	IP 20
Fixing on DIN rail	MC1-20 and MC1-30
Standard	
IEC 60044-1	

Dimensions



Connection



References

MC1 single-phase Efficient Transformers

A máx.	Ranges	Class 0,5 Power	Measurement	Internal diameter	Type	Code
250	150/200/250	0,25 VA	1 phase	20 mm	MC1-20-150/200/250	M73113
500	250/400/500	0,25 VA	1 phase	30 mm	MC1-30-250/400/500	M73114
1500	500/1000/1500	0,25 VA	1 phase	55 mm	MC1-55-500/1000/1500	M73115