

Centralizing unit with 50 inputs

# LM 50 - TCP

## Impulse CENTRALIZING UNIT

Digital Impulse centralizing unit with 50 inputs, with Ethernet communications and RS-485 bus inputs



### Description

Impulse centralizing unit, with up to 50 devices. The inputs of the centralizing unit are optocoupled to read the said impulses and it also has a memory to store up to 32 bits of data

- It has two communications ports: RS-485 Port: It can be used to connect up to 31 **CIRCUTOR** units that can be monitored with the **PowerStudio** software. This port acts as a gateway from Ethernet to RS-485
- Ethernet 10Base / 100Base TX Port that can be used by the **PowerStudio** energy management software to carry out the read and write operations of the 50 inputs of the **LM**, and all other units in the RS-485 network.

### Application

- Reading any Impulse-emitting device (up to 50 units). These parameters are useful to generate receipts or define a price/unit cost
- Integration of other types of consumption, such as: gas, water, etc. or simply used to control the energy consumption of 50 meters
- As an alarm control station: acting on the status of the unit's outputs, being able to define an alarm for a change in status

### Features

<b>Power supply circuit</b>	230 Vac ( $\pm 20\%$ )
Consumption	6 V·A
Frequency	47...63 Hz
<b>Digital inputs</b>	50 potential-free inputs
Maximum current	50 mA
Maximum voltage	5 V dc
Metering capacity	FFFF FFFF hexadecimal
Minimum impulse duration, $t_{ON}$	50 ms
Time between two pulses	50 ms
Maximum mean Impulse frequency	10 Hz
<b>Ambient conditions</b>	
Operating temperature	0 ... +50 °C
Humidity of operation	25 ... 80%
<b>Build features</b>	
Type of box	Modular, self-extinguishing plastic material
Fixing	Adjustable to the symmetrical DIN profile 46277 (EN 50022)
Cover	Lexan Front
Terminals	IP 20
Dimensions	158.4 x 60 x 89.93 mm (9 modules)
Weight	390 g
<b>Insulation</b>	2.5 kV - 50 Hz - 1min.
<b>Safety</b>	
Category II, EN 61010	
Insulation voltage between the box enclosure and any terminal: 2500 V, 50 Hz, 1 min	
Insulation between the group of inputs / outputs and the power supply input: 1 G $\Omega$	
Insulation between the group of inputs and the box enclosure: 1 $\Omega$	
<b>Standards</b>	
IEC 60664, VDE 0110, UL 94, IEC 801, EN 50081-1, EN 61010-1, EN 50082-1	

Centralizing unit with 50 inputs

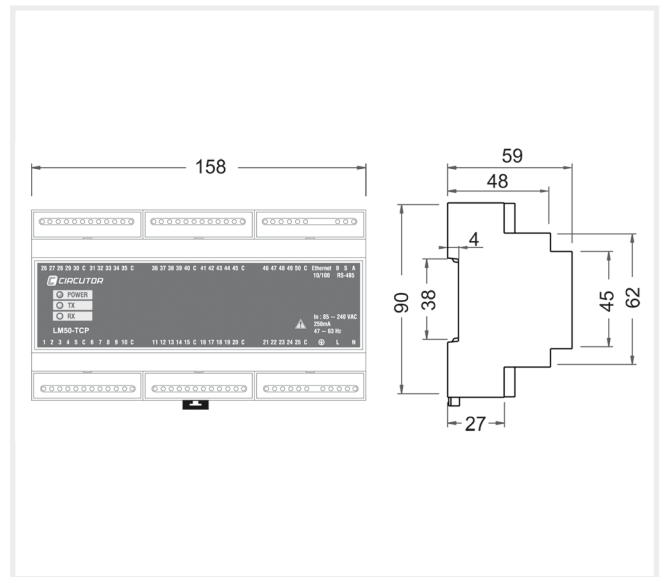
# LM 50 - TCP

## Impulse CENTRALIZING UNIT

Digital Impulse centralizing unit with 50 inputs, with Ethernet communications and RS-485 bus inputs



### Dimensions



### References

Optoinsulated inputs	Relay outputs	Communications with the MODBUS (TCP) protocol	Ethernet communications	DIN Modules	Type	Code
50	-	RS-485	Yes	9	LM 50 - TCP 19200 bps	M31531
50	-	RS-485	Yes	9	LM 50 - TCP 9600 bps	M31541

### Connections

