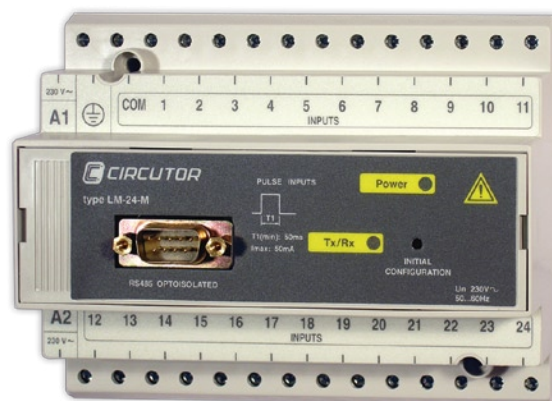


Centralizing unit with 24 inputs

LM 24 - M

Impulse CENTRALIZING UNIT

Impulse centralizing unit with 24 inputs and a BUS RS-485 input



Description

- Impulse centralizing unit, with up to 24 devices. The inputs of the centralizing unit are optocoupled to read the said impulses and it also has a memory to store up to 32 bits of data
- It has an RS-485 communications port with an RS-232 or Ethernet converter that can read or write files with the **PowerStudio**

Application

- Reading any Impulse-emitting device (up to 24 units). These parameters are useful to generate receipts or define a price/unit cost
- Integration of other types of consumption, such as: gas, water, etc. or simply used to control the energy consumption of 24 meters
- As an alarm control station: acting on the status of the unit's outputs, being able to define an event or status

Features

Power supply circuit	230 Vac (± 15 %)
Consumption	5 V·A
Frequency	50...60 Hz
Digital inputs	24 potential-free inputs
Maximum current	50 mA
Maximum voltage	5 Vdc
Metering capacity	FFFF FFFF hexadecimal
Minimum impulse duration, t_{ON}	50 ms
Time between two pulses	50 ms
Maximum mean Impulse frequency	10 Hz
Ambient conditions	
Operating temperature	0 ... +50 °C
Humidity of operation	25 ... 80 %
Build features	
Type of box	Modular. Self-extinguishing plastic material
Connection	Metallic terminals for "posidraft" screws
Fixing	Adjustable to the symmetrical DIN profile 46277 (EN 50022) Optional fixing with screws(fixing drill hole \varnothing 4.2 mm)
Cover	Lexan Front
Embedded relay protection	IP 41
Terminals	IP 20
Dimensions	140 x 70 x 110 mm (8 modules, in accordance with 43 880)
Weight	620 g
Insulation	2.5 kV - 50 Hz - 1min.
Safety	
Category II, EN 61010	
Standards	
IEC 664, VDE 0110, UL 94, IEC 348, EN 50081-1, EN 61010-1, EN 50082-1	

Centralizing unit with 24 inputs

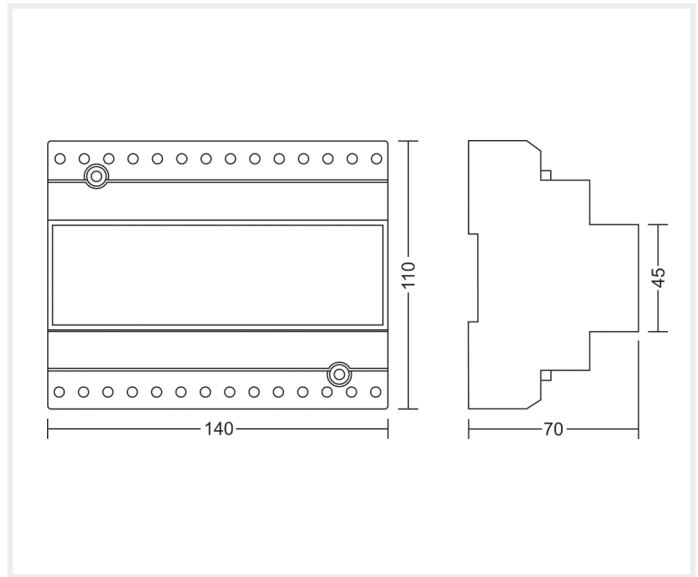
LM 24 - M

Impulse CENTRALIZING UNIT

Impulse centralizing unit with 24 inputs and a BUS RS-485 input



Dimensions



References

Optoinsulated inputs	Relay outputs	Communications with the MODBUS (RTU) protocol	DIN Modules	Type	Code
24	-	RS-485	8	LM 24 - M	M31520

Connections

