

# accessories

## Converter TCP2RS+

Converter of RS-232 / RS-485 to Ethernet Modbus



### Description

**TCP2RS+** is a gateway for the conversion of the Ethernet physical medium to RS-232 or RS-485, or vice versa. The unit is fitted with a Web Server, from which the user can fully parameterize the device configuration parameters.

### Powerful

**TCP2RS+** is a gateway developed entirely in the **CIRCUTOR** factory, incorporating the latest Ethernet network integration technology with high reliability, stability and robustness of use. **TCP2RS+** can work in fixed IP mode, and even in DHCP mode through name identification.

### Versatile

**TCP2RS+** is designed to work in multiple communication modes by simply selecting the desired option through the configuration Web Server. In master-slave function, the unit's Ethernet port can work in UDP or TCP mode to a configurable port, or in Modbus/TCP to port 502. In addition, the unit has routing functions to develop RS-232/485 topologies on existing Ethernet infrastructures.

The selection of the network protocol series (RS-232 or RS-485) and other network parameters is done through the configuration web site.

### Industrial

**TCP2RS+** is the only gateway on the market with multi-range power supply and a DIN-type enclosure with as few as 2 modules. Its switching power supply allows you to power the device from 85 to 290 V in alternating current, and from 120 to 410 V in direct current.

- Easy IP programming through the IP setup program (Windows)
- Easy access to the configuration Web Server once its IP is known
- RS-232 or RS-485 interface can be selected through Internet Explorer
- Multiple communications protocols: UDP, TCP, Modbus/TCP or routing functions
- Ethernet connection RJ45 10/100BaseTX
- Connection of up to 32 units on the bus (RS-485)
- Compatible with any application on the market  
(**PowerStudio / PowerStudio SCADA**)

### Application

Converting RS-232 or RS-485 signals to Ethernet or viceversa

### Features

Network protocols	TCP / UDP / MODBUS TCP / HTTP
Ethernet	10BaseT / 100BaseTX with autodetect (RJ45)
Serial port	RS-485/RS-232 three cables (A/B/GND) (RX/TX/GND)
Serial port speed	4800...115,200 bps
Serial port data bits	7 / 8
Serial port stop bits	1 / 2
Serial port parities	even, odd, none
Configuration	HTTP/JSON/DHTML
Firmware	Upgradeable from a web site
Diagnosis LEDs	Power / RX / RT / FULL/HALF (Ethernet) / ACTIVITY / 10M/100M / LINK
Versatile power supply	85...290 Vac / 120...410 Vdc
Power supply connection	Metallic terminals for "posidraft" screws
<b>Build features</b>	
Box	Self-extinguishible polycarbonate UL94 PV0
Protection degree	IP20
Attachment	Can be attached to DIN rail 46277 (2 modules)
<b>Environmental conditions</b>	
Standard temperature	-10 / 60 °C B
Storage temperature	-40 / 85 °C
Humidity without condensation	5...95%
<b>Safety</b>	
Installation category Class III / EN61010 double-insulated electric shock protection class II. The equipment must be connected to a power circuit protected with type gl fuses, in compliance with IEC 269, or type M, with values from 0.5 to 1A. It must be fitted with a circuit breaker switch or equivalent device, in order to be able to disconnect the device from the power supply. The power supply cable must have a cross-section of at least 1mm <sup>2</sup> .	
<b>Standards</b>	
IEC 60664, VDE 0110, UL 94, EN61010-1, EN55011, EN 61000-4-2, EN 61000-4-3, 61000-4-11, EN 61000-6-4, EN 61000-6-2, EN 61000-6-1, EN 61000-6-3, EN 61000-4-5, EC	

### References

Type	Code
TCP2RS+, Ethernet Converter to RS-232 / RS-485	M54033

# accessories

## CAMO Converter / Amplifier

RS-232 - RS-485 converter / amplifier

### Description

Versatile equipment that performs the function of physical communication medium transducer between RS-232 / RS-485-RS422 data buses or RS-485/RS-485 multi-optocoupled amplifier.

The **CAMO** transducer function automatically performs transmission reception switching to detect activity in the TX transmission line, avoiding the need for software control.

The amplifier function lets you increase the cabling of a RS-485 bus. As a general rule the maximum length of Modbus RS-485 cabling must not exceed 1,200 metres; by installing the **CAMO** as a Modbus RS-485 amplifier, it is possible to overcome this limitation.

- Transducer of RS-232 / RS-485-RS-422 bus or vice versa.
- RS-485/RS-485 Amplifier.
- Auto-detection of speed and word length, from 600 to 57,600 baud.
- Galvanic insulation up to 3 kV.
- Power supply 85..264 Vac / 2.5 VA / 47..63 Hz.
- LED Power, TX and RX
- Attachment. DIN 46277 (EN-50022)
- 3 Modules DIN 43 880
- Dimensions: 53 x 90 x 58 mm

### Application

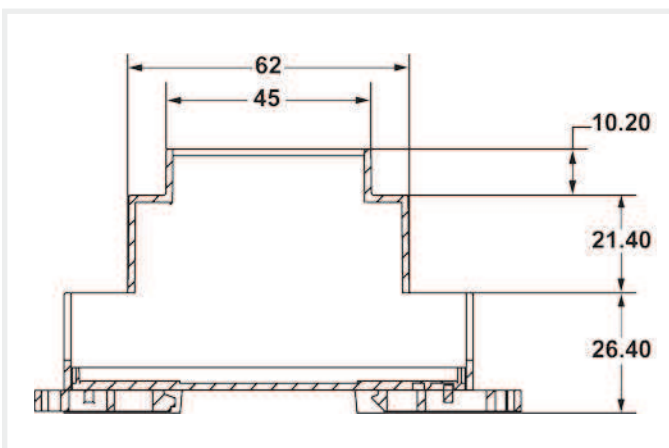
For any installation with various units connected to an RS-485 network and which must be monitored with an RS-232 connection.

Amplifier of Modbus RS-485 signals.

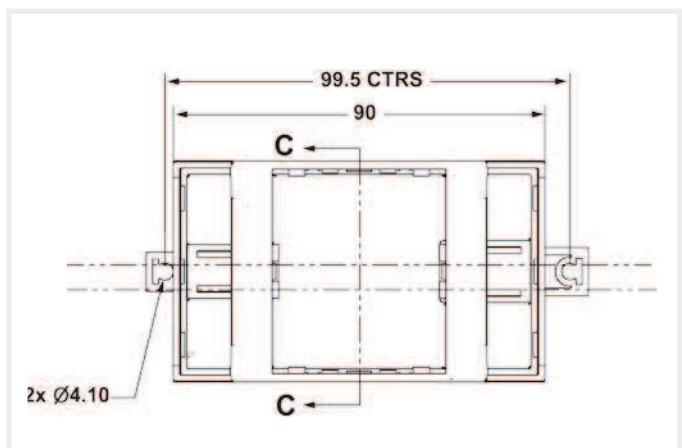
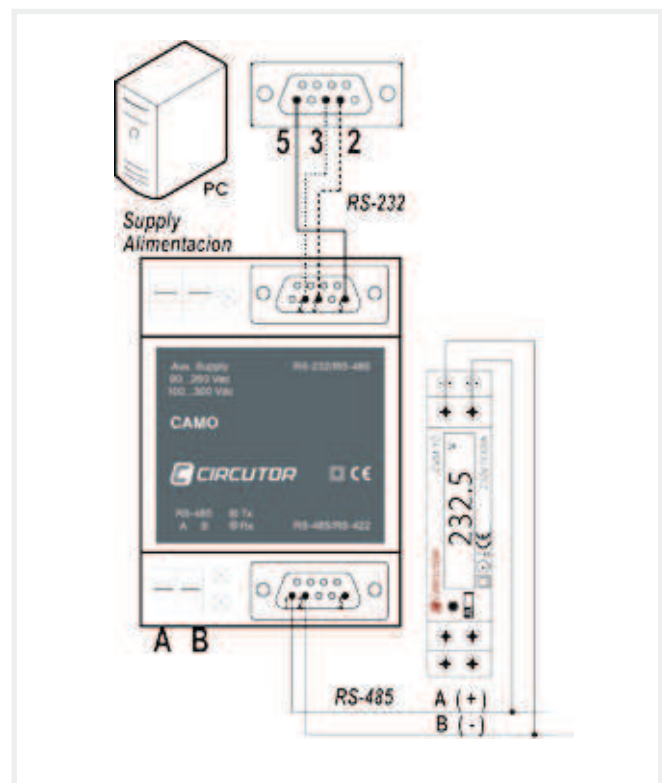
### References

Type	Code
Amplifier / transducer	M54090

### Dimensions



### Connection



# accessories

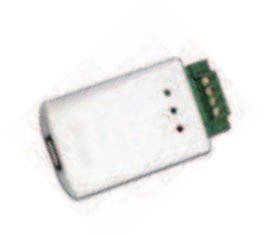
## USB Converter to RS-232 or RS-485

### Description

- Converter of the USB network protocol to RS-232 or RS-485
- Power supply through the PC's USB port
- Transmission speed: 4800 bps to 128000 bps
- Recommended only for start-ups and possible communications

### Application

To convert the USB signal to RS-232 or RS-485.



### References

Type	Code
USB / RS-485 converter	M54040
USB / RS-232 converter	M54050

## CVM-MINI Adaptor

### Front panel adaptor

### Description

Adaptor for the CVM-MINI for its installation on 72 x 72 mm panels

### Application

- For 72 x 72 mm front panel
- Central fixing
- Adjustable on the rear with two straps



### References

Type	Code
MINI panel adaptor	M5ZZF1