

Digital instruments

DH series

Digital instruments for panel mounting

**Description**

- Digital unit designed to show the programmed value of an electrical variable or process signal on a display, depending on type. Also useful for regulation if used with relay output cards (alarms)
- Fully programmable: scale, transformation ratio, alarm relays, communications, etc.
- Measurement of V, A, Hz and process signal (impulses, weight, temperature, pressure, etc).
- Measurement in true root mean square (TRMS), types in AC.
- Multitude of options with expansion modules
- 4 high luminosity digits
- High accuracy
- Installation in 96 x 48 mm panel
- 4 digit, high luminosity

Application

- The high luminosity 4-digit digital display indicates the voltage, current, frequency, etc. and it can be used to define the alarms of the different electrical parameters measured.
- Transducer display of measured parameters to analogue signal for PLCs
- Display and communication of measured data via RS-485 / RS-232 bus for integration into software or PLC.

Features

Power supply circuit	230 Vac (-15 ... +20%)
Frequency	4 V·A (without card), 7 V·A (with card)
Consumption	45...65 Hz
Measurement circuit	
Overvoltage (permanent / during 10 s)	1.2 U_n / 2 U_n
Overload (permanent / during 10 s)	1.2 I_n / 5 I_n
Measurement margin	2 .. 120 %
No. of conversions per cycle	32
Display	Seven 14 mm segments, red
Decimal place	Programmable
Scale excess indicator	"- - -"
Insulation	
Test voltage	3 kV, 50 Hz, 1 min
Impulse test	4 kV (1.2 / 50 s)
Ambient conditions	
Storage temperature	-40 ... +70 °C
Operating temperature	-10 ... +65 °C
Altitude	2000 m
Build features	
Box material	ABS V0, grey anthracite
Degree of protection	Box and terminals: IP 20 / Front panel: IP 54
Weight	550 g
Standards	
In A, C, P types:	IEC 1010, IEC 348, IEC 664, VDE 0110, VDE 0435
In other types:	IEC 1010, IEC 348, IEC 664, EN 50081-1, EN 50082-1

References**DH96. Ammeter or Voltmeter**

Measurement	Parameters	Range	Scale	Accuracy	Display	Type	Code
DC	A or V	200 Vdc or 200 mA	200 mA or 50,100, 200 V	0.2 % (± 1 dig)	4 digits	DH 96 C	M20411
AC	A or V	600 V ac or ... / 5 A	... / 5 A or 150, 300, 600 V	0.5 % (± 1 dig)	4 digits	DH 96 A	M20412

Digital instruments

DH series

Digital instruments for panel mounting


References
DH96. Ammeter

Measurement	Parameters	Range / Scale	Accuracy	Display	Type	Code
AC	A	...10 A	0.5 % (± 1 dig)	4 digits	DH 96 A (10 A)	M20413

DH96. Ammeter and voltmeter (with shunt .../60 mV)

Measurement	Parameters	Range / Scale	Accuracy	Display	Type	Code
DC	A and V	Programmable: V and A Range of V: 1 to 100 V Range of A: With shunt .../60 mV	0.2 % (± 1 dig)	4 digits	DH 96 A V	M2041C *

* Expansion cards are not used

DH96. Measurement station

Measurement	Parameters	Range	Scale	Accuracy	Display	Type	Code
DC	V, A, kW, kW-h	Range of V: up to 800 VVdc Range of A: .../60 mV	Programmable: Selec. V: 100 / 300 / 800 Vdc	0,2 % (± 1 dig.)	4 digits	DH 96 CPM	M20419

DH96. Universal process indicator

Measurement	Parameters	Range Scale	Accuracy	Display	Type	Code
DC	-	± 20 mA, ± 1 mA, ± 120 mV, ± 500 mV, ± 10 V	0,2 % (± 1 dig.)	4 digits	DH 96 P	M20415

DH96. Frequency meter and tachometer

Measurement	Parameters	Range / Scale	Accuracy	Display	Type	Code
-	Hz, r / min	0.1 ... 20000 Hz	-	5 digits	DH 96 FT	M20417

DH96. Chronometer and impulse meter

Measurement	Parameters	Range / Scale	Accuracy	Display	Type	Code
-	S, min, h, No. impulses	Programmable to measure time and impulses	-	5 digits	DH 96 CT	M20418

DH96. Temperature

Measurement	Parameters	Range / Scale	Accuracy	Display	Type	Code
-	°C	RTD sensor and thermocouple	0.2 % (±1 dig)	5 digits	DH 96 TMP	M2041E

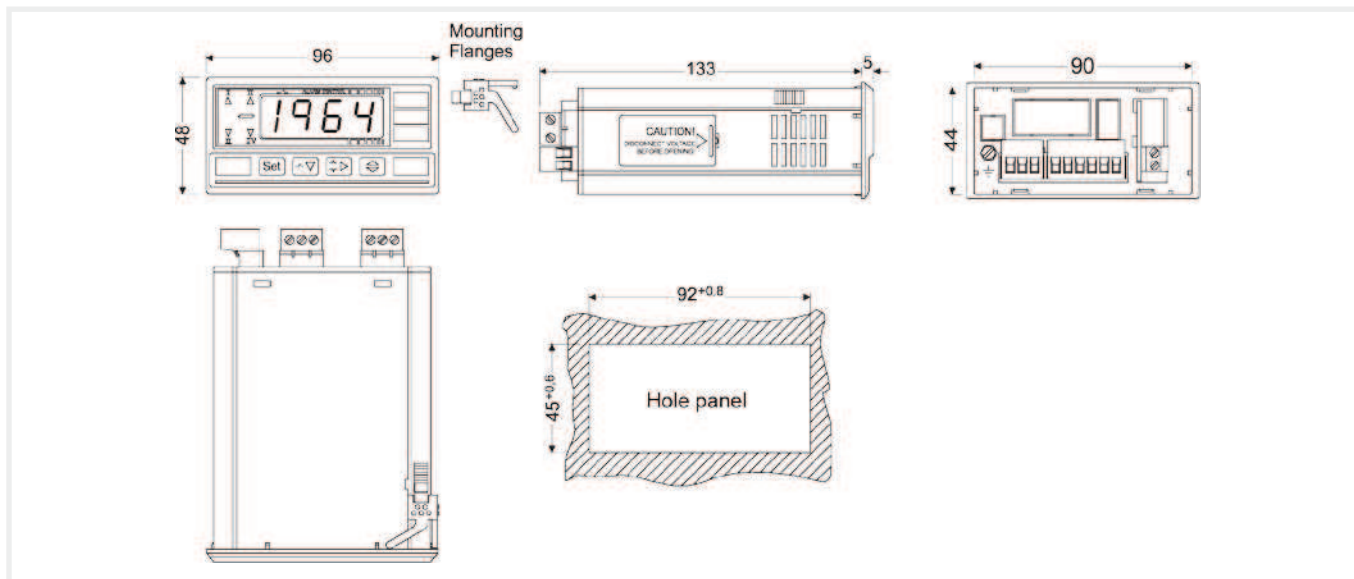
Digital instruments

DH series

Digital instruments for panel mounting

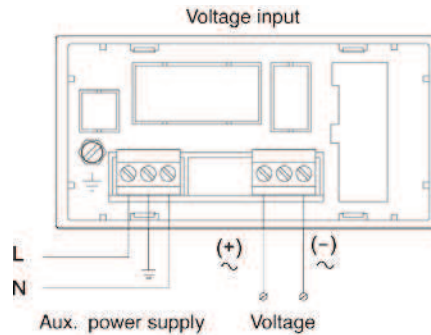
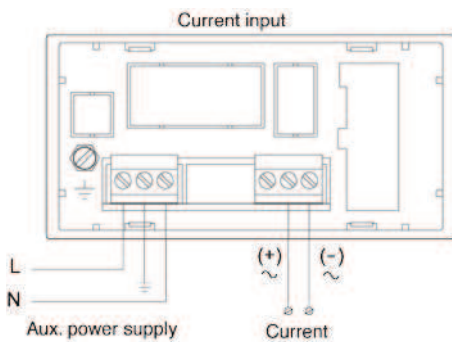


Dimensions

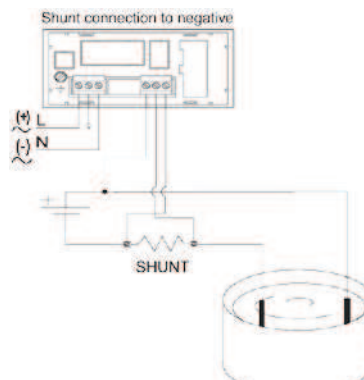
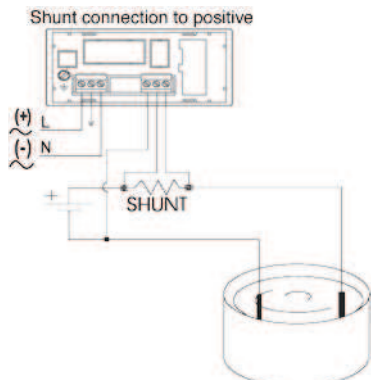


Connections

DH96 - A / C / P



DH96 - AV / CPM



Digital instruments

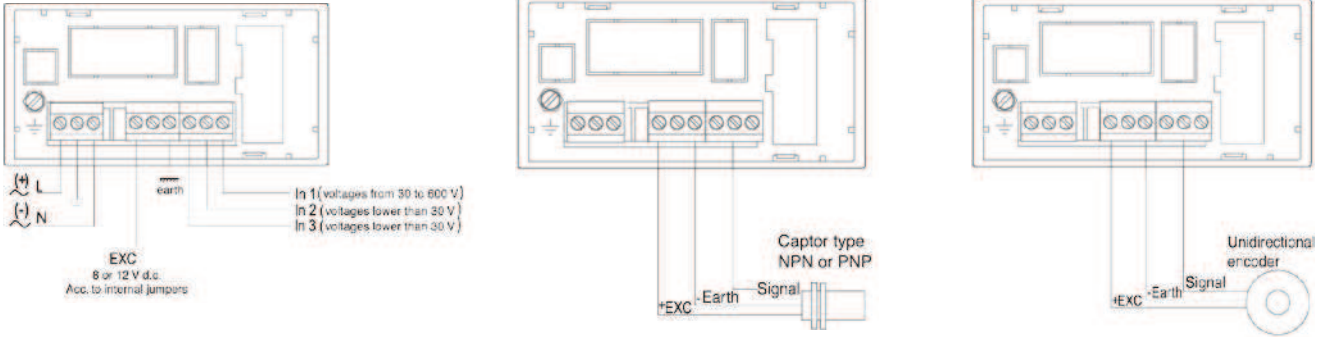
DH series

Digital instruments for panel mounting

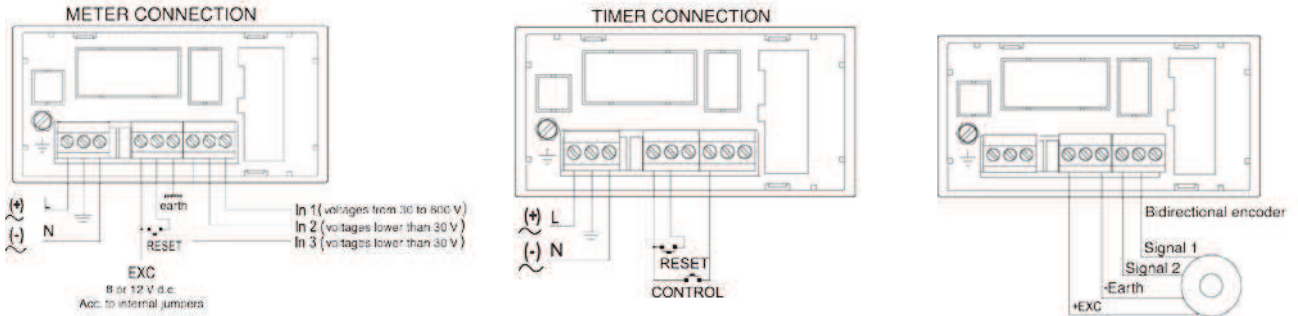


Connections

DH96 - FT



DH96 - CT



DH96 - TMP

