

Digital instruments

DC Series

Digital indicator for panel mounting



Description

- Fully programmable: scale, transformer ratio, etc.
- Measurement of V, A, Hz or °C.
- Measurement in true root mean square (TRMS), ac types. Excellent quality / price ratio
- Measurement of maximum and minimum values
- Optional relay output, depending on the type

Application

- The high luminosity 4-digit digital display indicates the voltage, current, frequency or instantaneous temperature, with the maximum and minimum values of medium and low voltage lines.

Features

Power supply circuit		115 / 230 Vac (±10%)
Frequency		40...70 Hz
Consumption		4 V·A
Measurement circuit		
Resolution		10 bits
Display refresh rate		1s
Accuracy		± 0.5 FE (± 1 digit)
No. of samples per cycle (AC)		32 / cycle
No. of samples per reading (DC)		64 / reading
Display		
Digits		4
Decimal place		Programmable
Range		0...9999 (ac) / -1999...9999 (dc)
Scale excess indicator		"- - -"
Insulation between the input and measurement		
Test voltage		3 kV, 50 Hz, 1 min
Impulse test		4 kV (1.2 / 50 µs)
Ambient conditions		
Storage temperature		- 40 ... +70 °C
Operating temperature		-10 ... +65 °C
Altitude		2000 m
Build features		
Box material		ABS V0, grey anthracite
Degree of protection	Fitted unit (front panel)	IP 54 (IP 65 with front panel protection)
	Box and terminals	IP 20
Weight		250 g
Standards		
IEC 1010, IEC 348, IEC 664, EN 50081-1, EN 50082-1		

Digital instruments

DC series

Digital indicator for panel mounting



References

DC. Voltmeter

Measurement	Scale	Input	Size	Type	Code
AC	150, 300, 600 Vac	Direct: 600 V Transformer: Programmable	48 x 48	DC 48 B V ac	M20210
			72 x 72	DC 72 B V ac	M20220
DC	10, 50, 200 Vdc	Direct: -200 / +200V Process: 0...10 V	48 x 48	DC 48 B V dc	M20213
			72 x 72	DC 72 B V dc	M20223
DC	600 Vdc	-600 / 600 V	48 x 48	DC 48 B V dc	M20214
			72 x 72	DC 72 B V dc	M20224
DC	60, 150, 200 mVdc	Direct: -200 mV / +200 mV Shunt: .../60 mV, .../150 mV	48 x 48	DC 48 B mVdc	M20217
			72 x 72	DC 72 B mVdc	M20227

DC. Ammeter

Measurement	Scale	Input	Size	Type	Code
AC	... / 5 A	Direct: 5 A Transformer: .../5 A	48 x 48	DC 48 B A ac	M20211
			72 x 72	DC 72 B A ac	M20221
AC	... / 5 A	Direct: 5 A Transformer: .../5 A	72 x 72	DC 72 MD A ac (*)	M2022A
AC	10 A	Direct: 10 A	48 x 48	DC 48 B A ac	M20212
			72 x 72	DC 72 B A ac	M20222
DC	5, 20, 200 mA	Direct: -200 mV / +200 mV Process: 0 or 4...20 mV	48 x 48	DC 48 B A dc	M20215
			72 x 72	DC 72 B A dc	M20225
DC	10 A	Direct: 10 A	48 x 48	DC 48 B A dc	M20216
			72 x 72	DC 72 B A dc	M20226

(*) Output relay available

DC. Frequency meter

Measurement	Scale	Input	Size	Type	Code
AC	Hz < 100, 2 dec. Hz > 100, 1 dec.	40...600 V	48 x 48	DC 48 B Hz ac	M20218
			72 x 72	DC 72 B Hz ac	M20228

Digital instruments

DC series

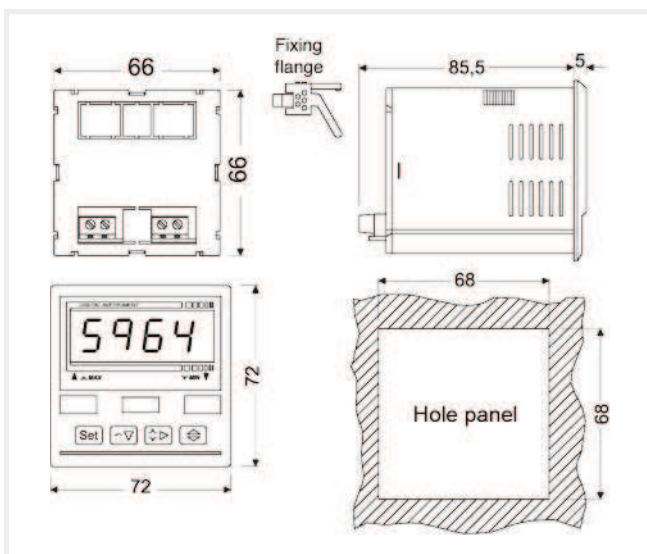
Digital indicator for panel mounting


References
DC. Temperature

Measurement	Relays	Input	Size	Type	Code
°C	-	-200 ... +200 °C	72 x 72	DC 72 TMP22	M20621
	1	-200 ... +200 °C	72 x 72	DC 72 TMP22 - 1R	M20623
	-	-200 ... +800 °C	72 x 72	DC 72 TMP28	M20622
	1	-200 ... +800 °C	72 x 72	DC 72 TMP28 - 1R	M20624

Coding table

M	2	X	X	X	X	0	0	X	X
Code						Internal Code		↑	↑
Auxiliary power supply		Standard (230 V)				0		↑	↑
		100 ... 120 V ac				1			
		480 ... 500 V ac				4			
		18 ... 36 V dc				7			
Current input		Standard (... / 5 A)				0		↑	↑
		... / 1 A				1			

Dimensions

Connections
