

Digital instruments

DC Series

Digital indicator for panel mounting

**Description**

- Fully programmable: scale, transformer ratio, etc.
- Measurement of V, A, Hz or °C.
- Measurement in true root mean square (TRMS), ac types. Excellent quality / price ratio
- Measurement of maximum and minimum values
- Optional relay output, depending on the type

Application

- The high luminosity 4-digit digital display indicates the voltage, current, frequency or instantaneous temperature, with the maximum and minimum values of medium and low voltage lines.

Features

Power supply circuit	115 / 230 Vac ($\pm 10\%$)
Frequency	40...70 Hz
Consumption	4 V·A
Measurement circuit	
Resolution	10 bits
Display refresh rate	1s
Accuracy	± 0.5 FE (± 1 digit)
No. of samples per cycle (AC)	32 / cycle
No. of samples per reading (DC)	64 / reading
Display	
Digits	4
Decimal place	Programmable
Range	0...9999 (ac) / -1999...9999 (dc)
Scale excess indicator	"- - -"
Insulation between the input and measurement	
Test voltage	3 kV, 50 Hz, 1 min
Impulse test	4 kV (1.2 / 50 μ s)
Ambient conditions	
Storage temperature	- 40 ... +70 °C
Operating temperature	-10 ... +65 °C
Build features	
Box material	ABS V0, grey anthracite
Degree of protection	Fitted unit (front panel) IP 54 (IP 65 with front panel protection)
	Box and terminals IP 20
Weight	250 g
Standards	
IEC 1010, IEC 348, IEC 664, EN 50081-1, EN 50082-1	

Digital instruments

DC series

Digital indicator for panel mounting



References

DC. Voltmeter

Measurement	Scale	Input	Size	Type	Code
AC	150, 300, 600 V ac	Direct: 600 V Transformer: Programmable	48 x 48	DC 48 B V ac	M20210
			72 x 72	DC 72 B V ac	M20220
			96 x 96	DC 96 B V ac	M20230
DC	10, 50, 200 V dc	Direct: -200 / +200V Process: 0...10 V	48 x 48	DC 48 B V dc	M20213
			72 x 72	DC 72 B V dc	M20223
			96 x 96	DC 96 B V dc	M20233
DC	600 V dc	-600 / 600 V	48 x 48	DC 48 B V dc	M20214
			72 x 72	DC 72 B V dc	M20224
			96 x 96	DC 96 B V dc	M20234
DC	60, 150, 200 mV dc	Direct: -200 mV / +200 mV Shunt: .../60 mV, .../150 mV	48 x 48	DC 48 B mV dc	M20217
			72 x 72	DC 72 B mV dc	M20227
			96 x 96	DC 96 B mV dc	M20237

DC. Ammeter

Measurement	Scale	Input	Size	Type	Code
AC	... / 5 A	Direct: 5 A Transformer: .../5 A	48 x 48	DC 48 B A ac	M20211
			72 x 72	DC 72 B A ac	M20221
			96 x 96	DC 96 B A ac	M20231
AC	... / 5 A	Direct: 5 A Transformer: .../5 A	72 x 72	DC 72 MD A ac (*)	M2022A
			96 x 96	DC 96 MD A ac (*)	M2023A
AC	10 A	Direct: 10 A	48 x 48	DC 48 B A ac	M20212
			72 x 72	DC 72 B A ac	M20222
			96 x 96	DC 96 B A ac	M20232
DC	5, 20, 200 mA	Direct: -200 mV / +200 mV Process: 0 or 4...20 mV	48 x 48	DC 48 B A dc	M20215
			72 x 72	DC 72 B A dc	M20225
			96 x 96	DC 96 B A dc	M20235
DC	10 A	Direct: 10 A	48 x 48	DC 48 B A dc	M20216
			72 x 72	DC 72 B A dc	M20226
			96 x 96	DC 96 B A dc	M20236

(*) Output relay available

DC. Frequency meter

Measurement	Scale	Input	Size	Type	Code
AC	Hz < 100, 2 dec. Hz > 100, 1 dec.	40...600 V	48 x 48	DC 48 B Hz ac	M20218
			72 x 72	DC 72 B Hz ac	M20228
			96 x 96	DC 96 B Hz ac	M20238

Digital instruments

DC series

Digital indicator for panel mounting



References

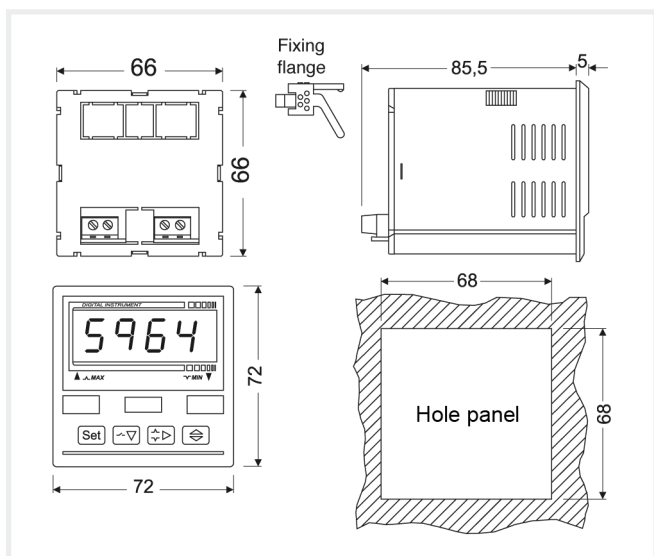
DC. Temperature

Measurement	Relays	Input	Size	Type	Code
°C	-	-200 ... +200 °C	72 x 72	DC 72 TMP22	M20621
	1	-200 ... +200 °C	72 x 72	DC 72 TMP22 - 1R	M20623
	-	-200 ... +800 °C	72 x 72	DC 72 TMP28	M20622
	1	-200 ... +800 °C	72 x 72	DC 72 TMP28 - 1R	M20624

Coding table

Code	Internal Code
M 2 X X X X 0 0 X X	
Auxiliary power supply	
Standard (230 V)	0
100 ... 120 Vac	1
480 ... 500 Vac	4
18 ... 36 Vdc	7
Current input	
Standard (.../ 5 A)	0
... / 1 A	1

Dimensions



Connections

