

CV

Low voltage three-phase power capacitors



Description

The **CV** dry-type prismatic capacitor range covers all power and voltage requirements, from 50 to 60 Hz.

The design, manufacturing and testing processes of tubular capacitors guarantee the production of top quality and long lasting capacitors.

The 4 internal protection levels (self-regulation of the internal fuse, protection cover and vermiculite) make prismatic capacitors the safest units in the market.

Application

Its application is based on the compensation in installations with fixed and variable loads (capacitor banks).

Features

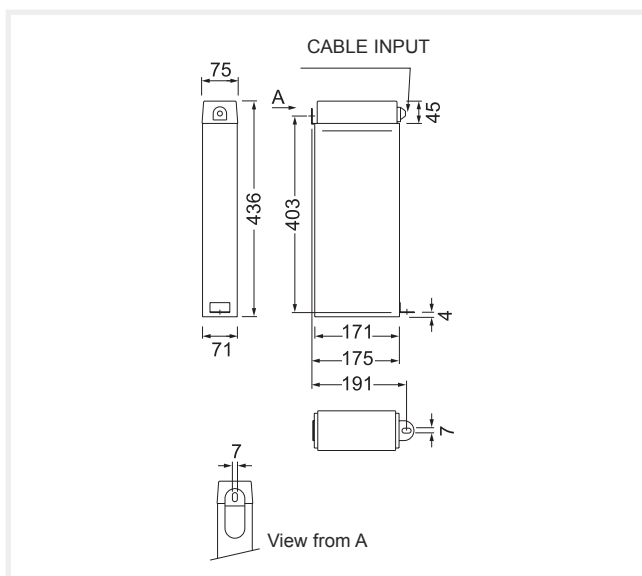
Features		
Overcurrent		1.3 times the rated current permanently
Overvoltage		10 % 8 over 24 hours 15 % up to 15 minutes over 24 hours 20 % up to 5 minutes over 24 hours 30 % up to 1 minute over 24 hours
Insulation level		3 / 15 kV
Power tolerance		-5...+15 %
Discharge resistance		75 V / 3 minutes
Frequency		50 or 60 Hz
Losses:	<ul style="list-style-type: none"> • Dielectric • Total 	< 0.2 W / kvar < 0.5 W / kvar
Protections		<ul style="list-style-type: none"> • Dielectric regeneration • Internal fuse • Overpressure system • Vermiculite
Construction features		
Enclosure		Treated and painted steel, colour RAL 3005
Terminals:	<ul style="list-style-type: none"> • Power rating • Earth 	<ul style="list-style-type: none"> • M6 for CV, M10 for CQ, CSB, CSB-6B, CFB, CFB-6B • M6
Torque value		<ul style="list-style-type: none"> • CV 5 Nm • CQ, CSB, CSB-6B, CFB, CFB-6B: 15 Nm
Degree of protection		IP 42 with terminal cover
Ambient conditions		
Class C temperature:	Daily mean	40 °C
	Annual mean	30 °C
	Maximum	55 °C
	Minimum	-40 °C
Humidity		80 %
Altitude		2,000 m
Assembly conditions		
Type of assembly		Vertical
Ventilation		Natural or forced, depending on the cabinet design
Distance between capacitors		Minimum, 4 cm
Weight		0.4 kg
Standards		
CEI 60831-1, CEI 70/7, UNE 20827, UNE 20010, BS 1650, VDE 560		

CV

Low voltage three-phase power capacitors



Dimensions



References

230 V

kvar		Weight (kg)	Dim. (mm) width x height x depth	Type	Code
50 Hz	60 Hz				
2,5	3	3	204 x 435 x 75	CV-23/2.5	R20114
3,75	4,5	3,5	204 x 435 x 75	CV-23/3.75	R20116
5	6	3,5	204 x 435 x 75	CV-23/5	R20118
7,5	9	4	204 x 435 x 75	CV-23/7.5	R2011A
10	12,5	4	204 x 435 x 75	CV-23/10	R2011C
12,5	15	4,5	204 x 435 x 75	CV-23/12.5	R2011D
15	17,5	4,5	204 x 435 x 75	CV-23/15	R2011E

400 V

kvar		Weight (kg)	Dim. (mm) width x height x depth	Type	Code
50 Hz	60 Hz				
2,5	3	2,5	204 x 435 x 75	CV-40/2.5	R20134
5	4,5	2,5	204 x 435 x 75	CV-40/5	R20138
7,5	9	3	204 x 435 x 75	CV-40/7.5	R2013A
10	12,5	3	204 x 435 x 75	CV-40/10	R2013C
12,5	15	3,5	204 x 435 x 75	CV-40/12.5	R2013D
15	17,5	4,5	204 x 435 x 75	CV-40/15	R2013E
20	25	4,5	204 x 435 x 75	CV-40/20	R2013F
25	30	6,5	204 x 435 x 75	CV-40/25	R2013G

440 V

kvar		Weight (kg)	Dim. (mm) width x height x depth	Type	Code
50 Hz	60 Hz				
2,5	3	2	204 x 435 x 75	CV-44/2.5	R20144
5	4,5	2	204 x 435 x 75	CV-44/5	R20148
7,5	9	2,5	204 x 435 x 75	CV-44/7.5	R2014A
10	12,5	2,5	204 x 435 x 75	CV-44/10	R2014C
12,5	15	3	204 x 435 x 75	CV-44/12.5	R2014D
15	17,5	4	204 x 435 x 75	CV-44/15	R2014E
20	25	4	204 x 435 x 75	CV-44/20	R2014F
25	30	6	204 x 435 x 75	CV-44/25	R2014G
30	35	6,5	204 x 435 x 75	CV-44/30	R2014J

460 V

kvar		Weight (kg)	Dim. (mm) width x height x depth	Type	Code
50 Hz	60 Hz				
2,5	3	1	204 x 435 x 75	CV-46/2.5	R20154
5	6	1	204 x 435 x 75	CV-46/5	R20158
7,5	9	1,5	204 x 435 x 75	CV-46/7.5	R2015A
10	12,5	1,5	204 x 435 x 75	CV-46/10	R2015C
12,5	15	2	204 x 435 x 75	CV-46/12.5	R2015D
15	17,5	3	204 x 435 x 75	CV-46/15	R2015E

CQ

Low voltage three-phase power capacitors



Description

The **CQ** dry-type prismatic capacitor range covers all power and voltage requirements, from 50 to 60 Hz.

The design, manufacturing and testing processes of prismatic capacitors guarantee the production of top quality and long lasting capacitors.

The 4 internal protection levels (self-regulation of the internal fuse, protection cover and vermiculite) make prismatic capacitors the safest units in the market.

Application

Its application is based on the compensation in installations with fixed and variable loads (capacitor banks).

Features

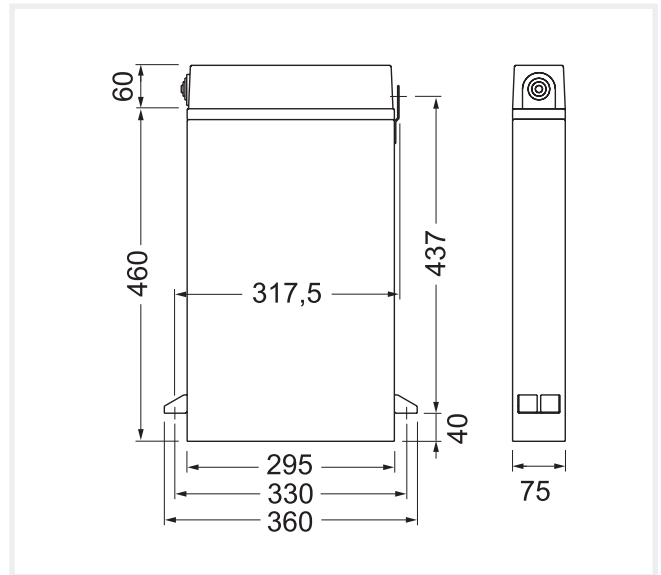
Features		
Overcurrent		1.3 times the rated current permanently
Overvoltage		10 % 8 over 24 hours 15 % up to 15 minutes over 24 hours 20 % up to 5 minutes over 24 hours 30 % up to 1 minute over 24 hours
Insulation level		3 / 15 kV
Power tolerance		-5...+15 %
Discharge resistance		75 V / 3 minutes
Frequency		50 or 60 Hz
Losses:	<ul style="list-style-type: none"> • Dielectric • Total 	< 0.2 W / kvar < 0.5 W / kvar
Protections		<ul style="list-style-type: none"> • Dielectric regeneration • Internal fuse • Overpressure system • Vermiculite
Construction features		
Enclosure		Treated and painted steel, colour RAL 3005
Terminals:	<ul style="list-style-type: none"> • Power rating • Earth 	<ul style="list-style-type: none"> • M6 for CV, M10 for CQ, CSB, CSB-6B, CFB, CFB-6B • M6
Torque value		<ul style="list-style-type: none"> • CV 5 Nm • CQ, CSB, CSB-6B, CFB, CFB-6B: 15 Nm
Degree of protection		IP 42 with terminal cover
Ambient conditions		
Class C temperature:	Daily mean	40 °C
	Annual mean	30 °C
	Maximum	50 °C
	Minimum	-40 °C
Humidity		80 %
Altitude		2,000 m
Assembly conditions		
Type of assembly		Vertical
Ventilation		Natural or forced, depending on the cabinet design
Distance between capacitors		Minimum, 4 cm
Weight		0.4 kg
Standards		
CEI 60831-1, CEI 70/7, UNE 20827, UNE 20010, BS 1650, VDE 560		

CQ

Low voltage three-phase power capacitors



Dimensions



References

230 V

kvar		Weight (kg)	Dim. (mm) width x height x depth	Type	Code
50 Hz	60 Hz				
10	12,5	4,9	360 x 520 x 75	CQ-23/10	R2031C
12,5	15	4,9	360 x 520 x 75	CQ-23/12.5	R2031D
15	17,5	4,9	360 x 520 x 75	CQ-23/15	R2031E
20	25	6,4	360 x 520 x 75	CQ-23/20	R2031F
25	30	7,9	360 x 520 x 75	CQ-23/25	R2031G
30	35	7,9	360 x 520 x 75	CQ-23/30	R2031H

400 V

kvar		Weight (kg)	Dim. (mm) width x height x depth	Type	Code
50 Hz	60 Hz				
10	12,5	4	360 x 520 x 75	CQ-40/10	R2033C
12,5	15	4,5	360 x 520 x 75	CQ-40/12.5	R2033D
15	17,5	5	360 x 520 x 75	CQ-40/15	R2033E
20	25	6	360 x 520 x 75	CQ-40/20	R2033F
25	30	6	360 x 520 x 75	CQ-40/25	R2033G
30	35	6	360 x 520 x 75	CQ-40/30	R2033H
40	50	7	360 x 520 x 75	CQ-40/40	R2033J
50	60	9	360 x 520 x 75	CQ-40/50	R2033K

440 V

kvar		Weight (kg)	Dim. (mm) width x height x depth	Type	Code
50 Hz	60 Hz				
15	17,5	4,1	360 x 520 x 75	CQ-44/15	R2034E
20	25	4,9	360 x 520 x 75	CQ-44/20	R2034F
25	30	4,9	360 x 520 x 75	CQ-44/25	R2034G
30	35	4,9	360 x 520 x 75	CQ-44/30	R2034H
40	50	6	360 x 520 x 75	CQ-44/40	R2034J
50	60	7,9	360 x 520 x 75	CQ-44/50	R2034K

460 V

kvar		Weight (kg)	Dim. (mm) width x height x depth	Type	Code
50 Hz	60 Hz				
10	12,5	4,1	360 x 520 x 75	CQ-46/10	R2035C
12,5	15	4,1	360 x 520 x 75	CQ-46/12.5	R2035D
15	17,5	4,1	360 x 520 x 75	CQ-46/15	R2035E
20	25	4,9	360 x 520 x 75	CQ-46/20	R2035F
25	30	4,9	360 x 520 x 75	CQ-46/25	R2035G
30	35	4,9	360 x 520 x 75	CQ-46/30	R2035H
40	50	7,9	360 x 520 x 75	CQ-46/40	R2035J
50	60	7,9	360 x 520 x 75	CQ-46/50	R2035K
60	-	8,1	360 x 520 x 75	CQ-46/60	R2035L

CSB

State-of-the-art low voltage three-phase power capacitors



Description

The application of new technologies and the use of printed circuit boards to manufacture prismatic capacitors have allowed **CIRCUTOR** to reinvent the classic **CS** capacitor, manufactured for over 35 years.

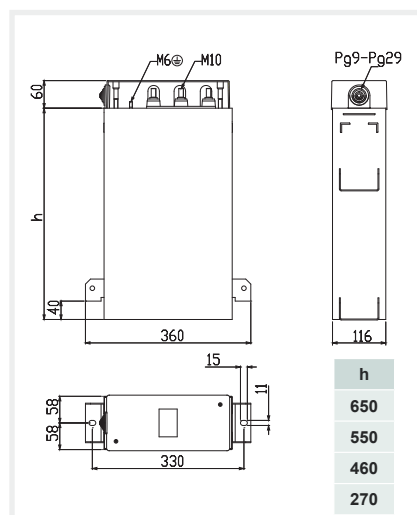
The spirit of innovation and proprietary technology used during the design of the new **CSB** capacitor have increased the lifespan of traditional prismatic capacitors by over 60%.

This new series has improved all aspects of the previous models, offering our customers a longer-lasting, safer and more profitable capacitor.

Application

Its application is based on the compensation in installations with fixed and variable loads (capacitor banks).

Dimensions



Features

Features	
Overload	1,3 times the rated current
Overvoltage	10%, 8 over 24 hours 15%, up to 15 minutes over 24 hours 20%, up to 5 minutes over 24 hours 30%, up to 1 minute over 24 hours
Insulation level	3 / 15 kV
Power ratings	5 kvar to 120 kvar
Voltage	230 V to 1100 V
Power tolerance	-5 ... +15%
Discharge resistance	75 V/3 min
Frequency	50 ... 60 Hz
Losses	Dielectric < 0,2 W / kvar Total < 0,5 W / kvar
Protections	Dielectric regeneration Internal fuse Over-pressure system Vermiculite
Construction conditions	
Enclosure	Treated and painted steel, colour RAL 3005
Terminals	Power M10 Earth M6
Torque value	15 Nm
Protection degree	IP 42 con tapa cubre bornes
Environmental conditions	
Class D temperature	Daily average 45 °C Annual average 35 °C Maximum 55 °C Minimum -40 °C
Relative humidity	80% (without condensation)
Maximum altitude	2000 m
Assembly conditions	
Type of assembly	Vertical / Horizontal
Ventilation	Natural or forced, depending on the design of the cabinet
Distance between capacitors	Minimum: 4 cm
Standards	
CEI 60831-1, UNE - EN 60831-1	

CSB

State-of-the-art low voltage three-phase power capacitors



References

230 V					
kvar		Weight (kg)	Dim. (mm) width x height x depth	Type	Code
50 Hz	60 Hz				
10	12,5	3,3	360 x 330 x 120	CSB-23/10	R2321C
12,5	15	3,3	360 x 330 x 120	CSB-23/12,5	R2321D
15	17,5	3,3	360 x 330 x 120	CSB-23/15	R2321E
20	25	4,2	360 x 330 x 120	CSB-23/20	R2321F
25	30	5,0	360 x 330 x 120	CSB-23/25	R2321G
30	35	5,0	360 x 330 x 120	CSB-23/30	R2321H
40	50	7,3	360 x 520 x 120	CSB-23/40	R2321J
50	60	8,2	360 x 520 x 120	CSB-23/50	R2321K

400 V					
kvar		Weight (kg)	Dim. (mm) width x height x depth	Type	Code
50 Hz	60 Hz				
15	17,5	3,3	360 x 330 x 120	CSB-40/15	R2323E
20	25	3,3	360 x 330 x 120	CSB-40/20	R2323F
25	30	3,3	360 x 330 x 120	CSB-40/25	R2323G
30	35	4,2	360 x 330 x 120	CSB-40/30	R2323H
40	50	5,0	360 x 330 x 120	CSB-40/40	R2323J
50	60	5,0	360 x 330 x 120	CSB-40/50	R2323K
60	70	6,6	360 x 520 x 120	CSB-40/60	R2323L
80	95	8,2	360 x 520 x 120	CSB-40/80	R2323Q
100	120	9,0	360 x 520 x 120	CSB-40/100	R2323R

440 V					
kvar		Weight (kg)	Dim. (mm) width x height x depth	Type	Code
50 Hz	60 Hz				
15	17,5	2,6	360 x 330 x 120	CSB-44/15	R2324E
20	25	3,3	360 x 330 x 120	CSB-44/20	R2324F
25	30	3,3	360 x 330 x 120	CSB-44/25	R2324G
30	35	3,5	360 x 330 x 120	CSB-44/30	R2324H
40	50	4,2	360 x 330 x 120	CSB-44/40	R2324J
50	60	5,0	360 x 330 x 120	CSB-44/50	R2324K
60	70	5,0	360 x 330 x 120	CSB-44/60	R2324L
80	95	7,3	360 x 520 x 120	CSB-44/80	R2324Q
100	120	8,2	360 x 520 x 120	CSB-44/100	R2324R

460 V					
kvar		Weight (kg)	Dim. (mm) width x height x depth	Type	Code
50 Hz	60 Hz				
15	17,5	3,3	360 x 330 x 120	CSB-46/15	R2325E
20	25	3,3	360 x 330 x 120	CSB-46/20	R2325F
25	30	4,2	360 x 330 x 120	CSB-46/25	R2325G
30	35	4,2	360 x 330 x 120	CSB-46/30	R2325H
40	50	5,0	360 x 330 x 120	CSB-46/40	R2325J
50	60	6,6	360 x 520 x 120	CSB-46/50	R2325K
60	70	7,3	360 x 520 x 120	CSB-46/60	R2325L
80	95	9,0	360 x 520 x 120	CSB-46/80	R2325Q
100	120	10,9	360 x 610 x 120	CSB-46/100	R2325R

480 V					
kvar		Weight (kg)	Dim. (mm) width x height x depth	Type	Code
50 Hz	60 Hz				
8	10	2,8	360 x 330 x 120	CSB-48/10	R277AC
12,5	15	3,5	360 x 330 x 120	CSB-48/15	R277AE
16,7	20	3,5	360 x 330 x 120	CSB-48/20	R277AF
20,8	25	4,2	360 x 330 x 120	CSB-48/25	R277AG
25	30	4,2	360 x 330 x 120	CSB-48/30	R277AH
33,3	40	5,0	360 x 330 x 120	CSB-48/40	R277AJ
41,7	50	6,8	360 x 520 x 120	CSB-48/50	R277AK
50	60	7,5	360 x 520 x 120	CSB-48/60	R277AL
66,7	80	9,0	360 x 520 x 120	CSB-48/80	R277AQ
83,8	100	10,9	360 x 610 x 120	CSB-48/100	R277AR

525 V					
kvar		Weight (kg)	Dim. (mm) width x height x depth	Type	Code
50 Hz	60 Hz				
9,11	10,93	2,6	360 x 330 x 120	CSB-52/10	R2326C
13,67	16,4	3,3	360 x 330 x 120	CSB-52/15	R2326E
18,22	21,87	3,3	360 x 330 x 120	CSB-52/20	R2326F
22,78	27,33	4,2	360 x 330 x 120	CSB-52/25	R2326G
27,33	32,8	4,2	360 x 330 x 120	CSB-52/30	R2326H
36,45	43,74	5,0	360 x 330 x 120	CSB-52/40	R2326J
45,56	54,67	6,6	360 x 520 x 120	CSB-52/50	R2326K
54,67	65,6	7,3	360 x 520 x 120	CSB-52/60	R2326L
63,78	76,54	8,2	360 x 520 x 120	CSB-52/70	R2326M

690 V					
kvar		Weight (kg)	Dim. (mm) width x height x depth	Type	Code
50 Hz	60 Hz				
10	12,5	2,6	360 x 330 x 120	CSB-69/10	R232BC
15	17,5	3,3	360 x 330 x 120	CSB-69/15	R232BE
20	25	3,3	360 x 330 x 120	CSB-69/20	R232BF
25	30	3,3	360 x 330 x 120	CSB-69/25	R232BG
30	35	4,2	360 x 330 x 120	CSB-69/30	R232BH
40	50	5,0	360 x 330 x 120	CSB-69/40	R232BJ
50	60	5,0	360 x 330 x 120	CSB-69/50	R232BK
60	70	6,6	360 x 520 x 120	CSB-69/60	R232BL
80	95	8,2	360 x 520 x 120	CSB-69/80	R232BQ
100	-	9,0	360 x 520 x 120	CSB-69/100	R232BR

1100 V					
kvar		Weight (kg)	Dim. (mm) width x height x depth	Type	Code
50 Hz	60 Hz				
10	12	3,5	360x330x120	CSB-110/10	R2327C
20	24	5,0	360x330x120	CSB-110/20	R2327F
30	36	5,0	360x330x120	CSB-110/30	R2327H
40	48	7,5	360x480x120	CSB-110/40	R2327J
50	60	9,0	360x520x120	CSB-110/50	R2327K
60	72	9,0	360x520x120	CSB-110/60	R2327L
70	84	10,9	360x610x120	CSB-110/70	R2327M