

CVM MINI

Three-phase power analyzer(balanced and unbalanced) for DIN rail mounting



Description

Three-phase power analyzer(balanced and unbalanced) for its assembly on DIN rails with very small dimensions, measuring in 4 quadrants.

Other features include:

- Current measuring .../5 or .../1 A
- DIN rail format with only 3 modules
- Assembly on the 72 x 72 mm panel with frontal adaptor (cod. M5ZZF1)
- RS-485 Communications (Modbus-RTU)
- Two transistor outputs
- ITF technology: galvanic insulation protection inputs inputs, depending on the type
- Selection of parameters displayed
- Default page selection
- Universal power supply for the Plus type
- Sealable

Application

- Application for the control of switchboards and low and medium voltage connection points, where an analyzer must be installed on the DIN rail due to space restrictions.
- Control of instantaneous, maximum and minimum values of the electrical parameters metered.

Features

Power supply circuit	230 Vac (-15...+10%) Plus: 85..0.265 Vac / 95...300 V dc
Consumption	3 V·A
Frequency	45...65 Hz
Metering circuit	
Nominal voltage	300 Vac (ph-n) / 520 Vac (ph-ph)
Frequency	40..0.65 Hz
Voltage consumption of the circuit	0.7 V·A
Current consumption of the circuit	ITF 0.9 / Shunt 0.75 V·A
Overload (permanent)	1.2 I _n
Class/Accuracy	
Voltage	0.5 % ± 1 digit
Current	0.5 % ± 1 digit
Power rating	1 % ± 1 digit
Ambient conditions	
Operating temperature	-10 ... +50 °C
Relative humidity (non-condensing)	5 ... 95%
Output transistor	Optoinsulated (collector open) NPN
Maximum switching voltage	24 V dc
Maximum switching current	50 mA
Maximum impulse frequency	5 impulse / s
Duration of the impulse	100 ms
Build features	
Type of box	VO self-extinguishing plastic
Degree of protection	Embedded equipment: IP 41 Terminals: IP 20
Dimensions	52.5 x 85 x 67.9 mm (3 modules)
Weight	210 g
Safety	
	Designed for CAT III 300/520 Vac installations, in accordance with EN 61010 . Double-insulated electric shock protection, class II
Standards	
	IEC 664, VDE 0110, UL 94, IEC 801, IEC 348, IEC 571-1, EN 61000-6-3, EN 61000-6-1, EN 61010-1

CVM MINI

Three-phase power analyzer(balanced and unbalanced) for DIN rail mounting



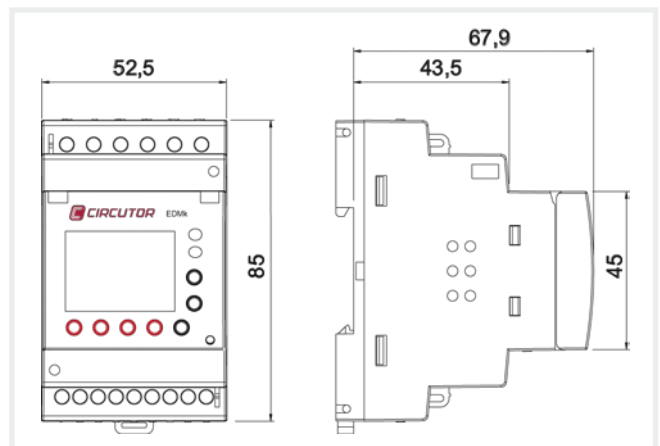
References

Quadrants	Class (V, A)	Communications	Protocol	Digital output	Harmonics	Type	Code
4	0,5	-	-	-	-	CVM-MINI	M52000
4	0,5	-	-	-	-	CVM-MINI-ITF	M52010
4	0,5	RS-485	MODBUS / RTU	2	-	CVM-MINI-ITF-RS485-C2	M52021
4	0,5	RS-485	MODBUS / RTU	2	V and I (15°)	CVM-MINI-ITF-HAR-RS485-C2	M52031

Coding table

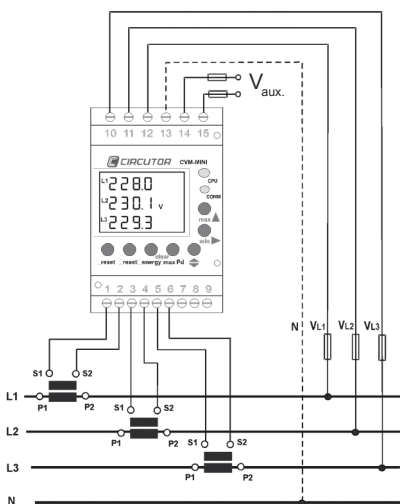
M	5	X	X	X	X	0	0	X
Code						Internal Code		
Power Supply Voltage (PSV)		Standard 230 Vac						0
		85...285 Vac						C
		95...300 Vdc						

Dimensions

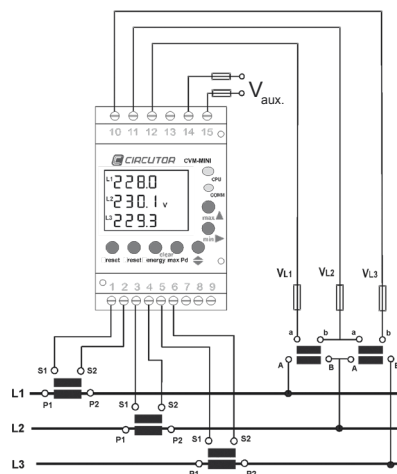


Connections

CVM MINI, 3 or 4 wires (low voltage)



CVM MINI, 3 wires (2 Voltage transformers and 3 Current transformers)



CVM MINI, 3 wires (2 Voltage transformers and 3 Current transformers)

