

CVM BDM

Three-phase power analyzer(balanced and unbalanced) for DIN rail mounting, with internal 1 MB memory



Description

Three-phase power analyzer(balanced and unbalanced) for its assembly on DIN rails, with internal 1 MB memory, measuring in 4 quadrants.

Other features include:

- Current measuring .../5 A
- Measuring of active (kW-h) and reactive (kvarh) energy consumed and generated, both capacitive and inductive. (4 quadrants)
- 8 module DIN rail format
- Adjustable dual kW/MW scale
- Calculates the flicker per phase
- RS-485 communications with Modbus RTU and Zmodem protocol to download files
- Optional second RS-485 port to connect I/O peripherals
- ITF Technology: galvanic insulation protection inputs, depending on the type
- Default page selection
- Optional use of rates with RED or RED-MAX modules

Application

- Application for the control of switchboards and low and medium voltage connection points, where an analyzer must be installed on the DIN rail
- Control of instantaneous, maximum and minimum values of the electrical parameters metered
- Applications where the analyzer's memory must store the electrical parameters measured.

Features

| | | |
|--|--|---|
| Power supply circuit | | 230 Vac (-15...+10%). For other values, see the coding table |
| Consumption | | 6 V·A |
| Frequency | | 45..0.65 Hz |
| Metering circuit | | |
| Nominal voltage | | 500 Vac (ph-n) / 866 Vac (ph-ph) |
| Frequency | | 40..65 Hz |
| Current consumption of the circuit | | 0.6 V·A |
| Nominal current | | ... / 5 A |
| Overload (permanent) | | 1.2 I _n |
| Class/Accuracy | | |
| Voltage | | 0.5 % ± 2 digits |
| Current | | 0.5 % ± 2 digits |
| Power rating | | 1 % ± 2 digits |
| Internal memory | | 1 MB |
| Ambient conditions | | |
| Operating temperature | | -10 ... +50 °C |
| Relative humidity (non-condensing) | | 5 ... 95% |
| Build features | | |
| Type of box | | VO self-extinguishing plastic |
| Degree of protection | | Embedded equipment: IP 41 Terminals: IP 20 |
| Dimensions | | 140 x 110 x 70 mm (3 modules) |
| Weight | | 520 g |
| Safety | | |
| Designed for CAT III 300/520 Vac installations, in accordance with EN 61010 . Double-insulated electric shock protection, class II | | |
| Standards | | |
| IEC 664, VDE 0110, UL 94, IEC 801, IEC 348, IEC 571-1, EN 61000-6-3, EN 61000-6-1, EN 61010-1 | | |

CVM BDM

Three-phase power analyzer (balanced and unbalanced) for its assembly on DIN rails, with internal 1 MB memory



References

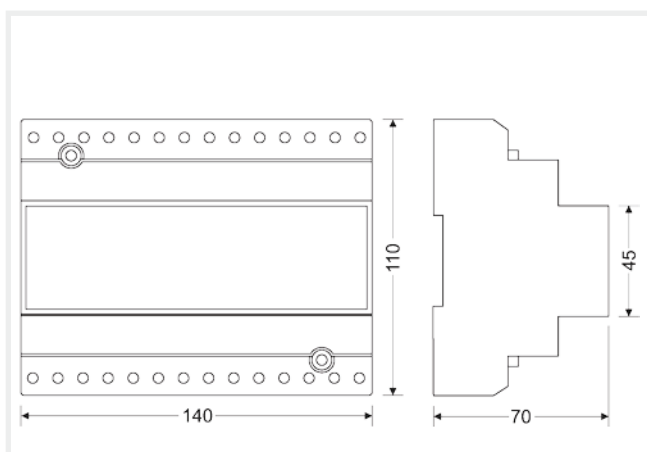
| Quadrants | Class (V/A) | Clock | THD/D (V/A) | Maximum demand | Flicker meter | Harmonics meter | MODBUS / RTU Communications | Internal memory | Relay output | Output 4...20 mA | Type | Code |
|-----------|-------------|-------|-------------|----------------|---------------|-----------------|-----------------------------|-----------------|--------------|------------------|--------------|--------|
| 4 | 0,5 | Yes | Yes | Yes | Yes | Yes | RS-485 | 1 MB | - | - | CVM-BDM | M52210 |
| 4 | 0,5 | Yes | Yes | Yes | Yes | Yes | RS-485 | 1 MB | 2 | - | CVM-BDM-C2 | M52211 |
| 4 | 0,5 | Yes | Yes | Yes | Yes | Yes | - | 1 MB | 1 | 1 | CVM-BDM-C420 | M52212 |
| 4 | 0,5 | Yes | Yes | Yes | Yes | Yes | RS-485 | 1 MB | - | 2 | CVM-BDM-420 | M52213 |

Coding table

M 5 X X X X 0 0 X X X X X

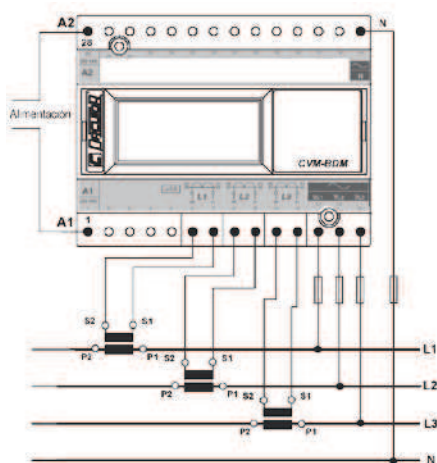
| Code | Internal Code | | |
|-----------------------------|--|---|---|
| Power Supply Voltage (PSV) | Standard (230 V ac) | 0 | ↑ |
| | 110 V ac | 1 | |
| | 24..0.120 V dc | 5 | |
| Voltage measurement (VM) | Standard (300 V _{ph-n} / 520 V _{ph-ph}) | 0 | ↑ |
| | 110 V _{ph-n} / 190 V _{ph-ph} | 1 | |
| | 500 V _{ph-n} / 866 V _{ph-ph} | 3 | |
| Current input (CI) | Standard (... / 5 A) | 0 | ↑ |
| | ... / 1 A (Only ITF) | 1 | |
| Other (only CVM-BD-RED/BDM) | Standard | 0 | 0 |
| | RS-232 Communications | 0 | 1 |

Dimensions



Connections

Three-phase network (low voltage)



3 current transformers + 2 voltage transformers

